

25A / 32A



▶ DOOR/PANEL MOUNTING

NON- PADLOCKABLE PRESENTATION

Yellow/Red Handle
Part Number

Grey Handle
Part Number



0172002



0174102

25 A

- 3P
- 3P + NC/NO
- 4P neutral on left
- 4P + NC/NO

- 0172002
- 0172012
- 0172022
- 0172032

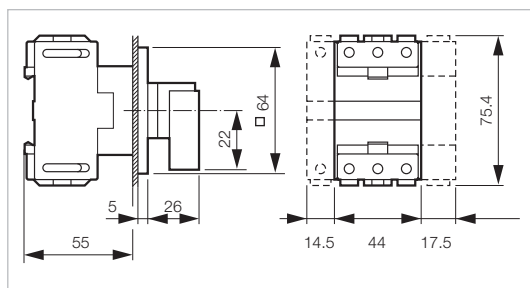
- 0174002
- 0174012
- 0174022
- 0174032

32 A

- 3P
- 3P + NC/NO
- 4P neutral on left
- 4P + NC/NO

- 0172102
- 0172112
- 0172122
- 0172132

- 0174102
- 0174112
- 0174122
- 0174132



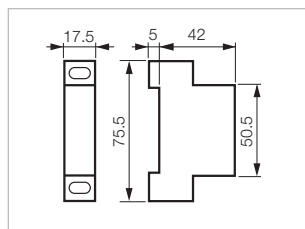
**STANDARD VERSIONS IP40 RATED.
TO ORDER WITH IP65 GASKETS ADD -1 TO PART NUMBERS ABOVE.
IE. 0172002-1**

COMPONENTS AND ACCESSORIES

Part Number



0172179



3-pole switch body without handle

- 25 A
- 32 A

- 0172000
- 0172100

Additional pole

- 25 A
- 32 A

- 0172075
- 0172175

Neutral pole

- 25 A
- 32 A

- 0172065
- 0172165

Junction block

Ground or Neutral

- 0172185

Auxiliary contact

NC/NO

- 0172179

IP65 Seal Kit

- 0172267

Replacement Handle, Plate, and Frame

- 64 - Yellow/Red
- 64 - Grey

- 0172602
- 0174602



0172267

Technical Specifications

▶ GENERAL

Characteristics	25 A	32 A	50 A	63 A	80 A	100 A
UL/cUL - suitable as motor disconnect						
> Rated voltage (V)	600	600	600	600	600	600
> General Use Current (A)	25	32	50	63	80	100
> Motor Ratings (hp)						
1 x 120 V	0.75	1	1.5	3	3	5
1 x 240 V	1.5	2	3	5	10	10
1 x 277 V	2	3	5	7.5	10	15
3 x 120 V	1.5	2	3	5	7.5	10
3 x 240 V	3	5	7.5	10	20	25
3 x 480 V	7.5	10	15	20	40	50
3 x 600 V	7.5	10	15	20	40	50
> Auxiliary Blocks						
NO/NC	A600					
Early Make	B300					
Early Break	B300					
> Wire Gauge (AWG)						
3-Pole Body, Additional Pole, Late Break Neutral, Junction Block	8 - 14	8 - 14	4 - 14	4 - 14	1 - 14	1 - 14
Auxiliary Contacts	14 - 18	14 - 18	14 - 18	14 - 18	14 - 18	14 - 18
> Short Circuit Rating						
Fuse Type K5 (A)	5000	5000	5000	5000	5000	10000
Fuse Size (A)	40	40	80	80	125	125
Rated break capacity	330	330	800	800	800	800

Technical Specifications

► GENERAL

Characteristics	25 A	32 A	50 A	63 A	80 A	100 A
IEC						
> Rated insulation voltage U_i (V)	690	690	690	690	690	690
> Conventional free air thermal current I_{th} Uninterrupted rated current I_u (A)	25	32	50	63	80	100
> Conventional enclosed thermal current I_{the} (A)	20	25	40	50	63	80
> Rated impulse withstand voltage (overvoltage category III - pollution degree 3 U_{imp} (kV)	6	6	6	6	6	6
> Rated operating current I_e (A) AC - 21 A/22 A Conform to IEC 60947-3	25	32	50	63	80	100
> Rated operating power (kW)						
AC 23 A						
3 x 230 V	5.5	5.5	15	15	18.5	22
3 x 400 V	7.5	11	18.5	22	30	37
3 x 500 V	7.5	11	22	30	37	45
3 x 690 V	7.5	11	18.5	22	22	30
AC 3						
3 x 230 V	4	4	7.5	11	15	18.5
3 x 400 V	5.5	7.5	15	18.5	22	30
3 x 500 V	5.5	7.5	15	22	30	37
3 x 690 V	5.5	7.5	15	18.5	18.5	22
> Make - break characteristics ($A_{eff}/400$ V)						
Rated make capacity	710	710	1270	1270	1970	1970
Rated break capacity	330	330	800	800	800	800
> Short circuit characteristics						
Rated short term withstand current I_{cW} ($A_{eff}/400$ V/1 s)	350	430	500	760	1100	1500
Rated short circuit make capacity I_{cm} (kA peak/400 V)	1	1	1.8	1.8	2.8	2.8
Short circuit current (kA $_{eff}/400$ V)	10	10	10	10	10	10
with fuse gl/gG (A)	25	32	50	63	80	100

Technical Specifications

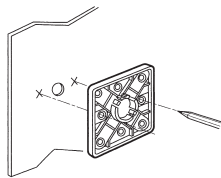
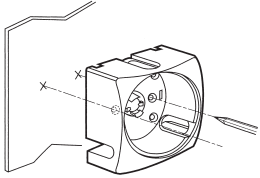
► ENCLOSURES

Characteristics	150x100x96	220x150x100	220x150x100	220x150x100	220x150x100	300x200x100
> Rating	25 and 32 A 3P to 4P +NC/NO	25 and 32 A 6P and 6P +NC/NO	50 and 63 A 3P to 4P +NC/NO	50 and 63 A 6P and 6P +NC/NO	80 and 100 A 3P and 3P +NC/NO	80 and 100 A 4P to 6P +NC/NO
> Cable inputs	2 x 2 PG 16 OR 2 x 2 M25	2 x 2 PG 21	2 x 2 PG 21	2 x 2 PG 29	2 x 2 PG 29	2 x 2 PG 21 2 x 2 PG 29
> Ø knockouts (mm)	PG 16: 22.5 ISO M25: 25	28.5	28.5	37.5	37.5	37.5 and 28.5
> No. of knockouts (top and bottom)	2	2	2	2	2	4
> Panel mount	by 2 screws	by 4 screws	by 4 screws	by 4 screws	by 4 screws	by 4 screws
> Base/cover assembly	by 1 screws self-tapping stainless steel	by 4 screws self-tapping stainless steel	by 4 screws self-tapping stainless steel	by 4 screws self-tapping stainless steel	by 4 screws self-tapping stainless steel	by 6 screws self-tapping stainless steel
> Switch/base assembly	on 35 mm DIN rail (this rail is notched for positioning the switch)					
> Handles mounting	screwing on shaft pre-pierced cover					
> Insulation	Class II installed (provided that the correct insulation plugs are used with the enclosure)					
> Impact withstand	IK07					
> Flameproof	650°C					
> Protection rating	IP 66	IP 40 (IP 65 upon request)				
> Contact operating diagram						
> Switch padlocking	In general: up to 3 padlocks ø 4 to 8 mm Switch with 1 auxiliary contact NC/NO: up to 3 padlocks ø 6 to 8 mm Modular presentation: 1 padlock ø 6 to 8 mm					

Technical Specifications

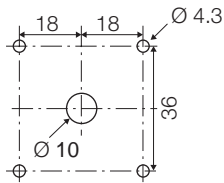
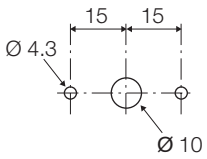
► MOUNTING - PANEL DRILLING

Panel/Door Handle Mounting

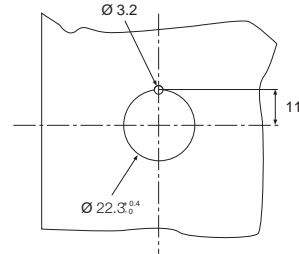


25A/32A

50A/63A/80A/100A

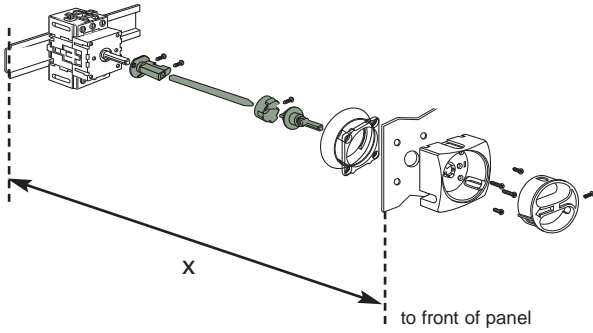


Ø22 Single Hole Mounting

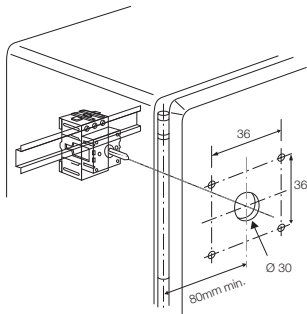
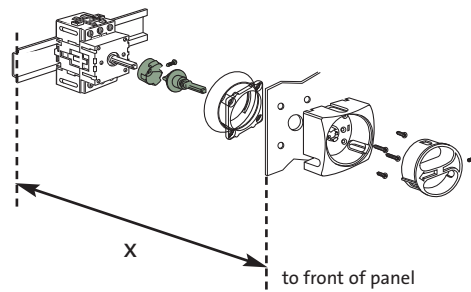


Door Interlock System

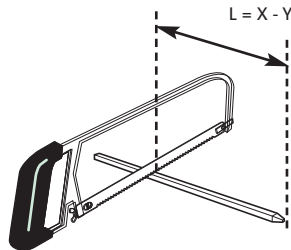
Short or Long Metal Shaft Version



No Metal Shaft Version



Minimum Distance to Hinge



	X			Y
	without shaft	with short shaft	with long shaft	
25A / 32A	86 - 100 mm	125 - 250 mm	125 - 400 mm	92 mm
50A / 63A	96 - 110 mm	135 - 260 mm	135 - 410 mm	102 mm
80A / 100A	106 - 120 mm	145 - 270 mm	145 - 420 mm	112 mm