

## 50A / 63A

### ENCLOSURES

 Technical Info (p. 192)

#### PADLOCKABLE PRESENTATION



0172261

0174261

#### 50 A

3P  
3P + NC/NO  
4P neutral on left  
4P + NC/NO

Yellow/Red Handle  
Part Number

0172261  
0172271  
0172281  
0172291

Grey Handle  
Part Number

0174261  
0174271  
0174281  
0174291

#### 63 A

3P  
3P+NC/NO  
4P neutral on left  
4P + NC/NO

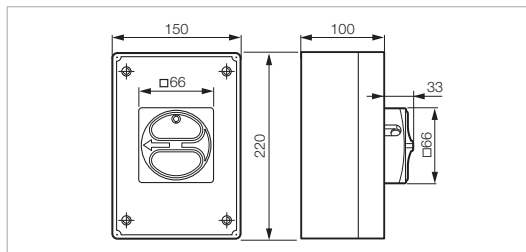
0172361  
0172371  
0172381  
0172391

0174361  
0174371  
0174381  
0174391

**STANDARD VERSIONS IP40 RATED.**

**TO ORDER WITH IP65 GASKETS ADD -6 TO PART NUMBERS ABOVE.**

**IE. 0172261-6**



Cable entries: 4 x PG21

#### PADLOCKABLE PRESENTATION



0172209

0174209

#### 50 A

6P  
6P + NC/NO

Yellow/Red Handle  
Part Number

0172209  
0172229

Grey Handle  
Part Number

0174209  
0174229

#### 63 A

6P  
6P+NC/NO

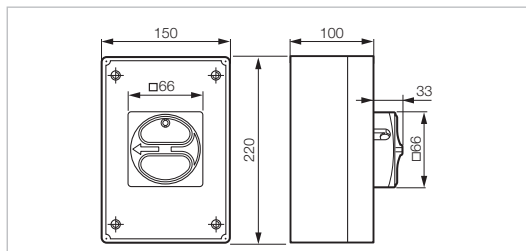
0172309  
0172329

0174309  
0174329

**STANDARD VERSIONS IP40 RATED.**

**TO ORDER WITH IP65 GASKETS ADD -6 TO PART NUMBERS ABOVE.**

**IE. 0172209-6**



Cable entries: 4 x PG29

#### CABLE GLANDS



PG21-GY

PG21  
PG29

Cable Range 13mm - 18mm  
Cable Range 18mm - 25mm

Part Number

PG21-GY  
PG29-GY

# Technical Specifications

## ▶ GENERAL

Characteristics	25 A	32 A	50 A	63 A	80 A	100 A
<b>UL/cUL - suitable as motor disconnect</b>						
> Rated voltage (V)	600	600	600	600	600	600
> General Use Current (A)	25	32	50	63	80	100
> Motor Ratings (hp)						
1 x 120 V	0.75	1	1.5	3	3	5
1 x 240 V	1.5	2	3	5	10	10
1 x 277 V	2	3	5	7.5	10	15
3 x 120 V	1.5	2	3	5	7.5	10
3 x 240 V	3	5	7.5	10	20	25
3 x 480 V	7.5	10	15	20	40	50
3 x 600 V	7.5	10	15	20	40	50
> Auxiliary Blocks						
NO/NC	A600					
Early Make	B300					
Early Break	B300					
> Wire Gauge (AWG)						
3-Pole Body, Additional Pole, Late Break Neutral, Junction Block	8 - 14	8 - 14	4 - 14	4 - 14	1 - 14	1 - 14
Auxiliary Contacts	14 - 18	14 - 18	14 - 18	14 - 18	14 - 18	14 - 18
> Short Circuit Rating						
Fuse Type K5 (A)	5000	5000	5000	5000	5000	10000
Fuse Size (A)	40	40	80	80	125	125
Rated break capacity	330	330	800	800	800	800

# Technical Specifications

## ► GENERAL

Characteristics	25 A	32 A	50 A	63 A	80 A	100 A
<b>IEC</b>						
> Rated insulation voltage $U_i$ (V)	690	690	690	690	690	690
> Conventional free air thermal current $I_{th}$ Uninterrupted rated current $I_u$ (A)	25	32	50	63	80	100
> Conventional enclosed thermal current $I_{the}$ (A)	20	25	40	50	63	80
> Rated impulse withstand voltage (overvoltage category III - pollution degree 3 $U_{imp}$ (kV)	6	6	6	6	6	6
> Rated operating current $I_e$ (A) AC - 21 A/22 A Conform to IEC 60947-3	25	32	50	63	80	100
> Rated operating power (kW)						
AC 23 A						
3 x 230 V	5.5	5.5	15	15	18.5	22
3 x 400 V	7.5	11	18.5	22	30	37
3 x 500 V	7.5	11	22	30	37	45
3 x 690 V	7.5	11	18.5	22	22	30
AC 3						
3 x 230 V	4	4	7.5	11	15	18.5
3 x 400 V	5.5	7.5	15	18.5	22	30
3 x 500 V	5.5	7.5	15	22	30	37
3 x 690 V	5.5	7.5	15	18.5	18.5	22
> Make - break characteristics ( $A_{eff}/400$ V)						
Rated make capacity	710	710	1270	1270	1970	1970
Rated break capacity	330	330	800	800	800	800
> Short circuit characteristics						
Rated short term withstand current $I_{cW}$ ( $A_{eff}/400$ V/1 s)	350	430	500	760	1100	1500
Rated short circuit make capacity $I_{cm}$ (kA peak/400 V)	1	1	1.8	1.8	2.8	2.8
Short circuit current (kA $_{eff}/400$ V)	10	10	10	10	10	10
with fuse gl/gG (A)	25	32	50	63	80	100



# Technical Specifications

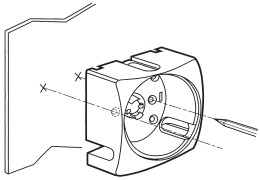
## ► ENCLOSURES

Characteristics	150x100x96	220x150x100	220x150x100	220x150x100	220x150x100	300x200x100
> Rating	25 and 32 A 3P to 4P +NC/NO	25 and 32 A 6P and 6P +NC/NO	50 and 63 A 3P to 4P +NC/NO	50 and 63 A 6P and 6P +NC/NO	80 and 100 A 3P and 3P +NC/NO	80 and 100 A 4P to 6P +NC/NO
> Cable inputs	2 x 2 PG 16 OR 2 x 2 M25	2 x 2 PG 21	2 x 2 PG 21	2 x 2 PG 29	2 x 2 PG 29	2 x 2 PG 21 2 x 2 PG 29
> Ø knockouts (mm)	PG 16: 22.5 ISO M25: 25	28.5	28.5	37.5	37.5	37.5 and 28.5
> No. of knockouts (top and bottom)	2	2	2	2	2	4
> Panel mount	by 2 screws	by 4 screws	by 4 screws	by 4 screws	by 4 screws	by 4 screws
> Base/cover assembly	by 1 screws self-tapping stainless steel	by 4 screws self-tapping stainless steel	by 4 screws self-tapping stainless steel	by 4 screws self-tapping stainless steel	by 4 screws self-tapping stainless steel	by 6 screws self-tapping stainless steel
> Switch/base assembly	on 35 mm DIN rail (this rail is notched for positioning the switch)					
> Handles mounting	screwing on shaft pre-pierced cover					
> Insulation	Class II installed (provided that the correct insulation plugs are used with the enclosure)					
> Impact withstand	IK07					
> Flameproof	650°C					
> Protection rating	IP 66	IP 40 (IP 65 upon request)				
> Contact operating diagram						
> Switch padlocking	In general: up to 3 padlocks ø 4 to 8 mm Switch with 1 auxiliary contact NC/NO: up to 3 padlocks ø 6 to 8 mm Modular presentation: 1 padlock ø 6 to 8 mm					

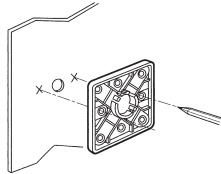
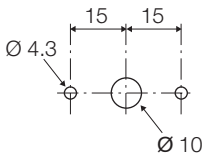
# Technical Specifications

## ► MOUNTING - PANEL DRILLING

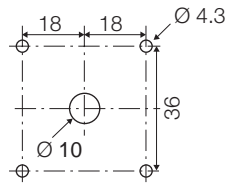
### Panel/Door Handle Mounting



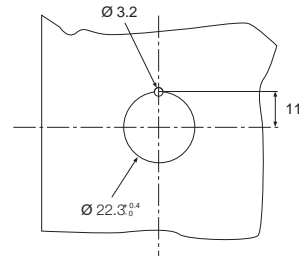
25A/32A



50A/63A/80A/100A

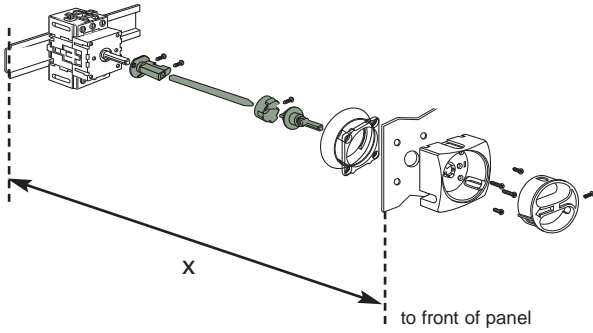


### Ø22 Single Hole Mounting

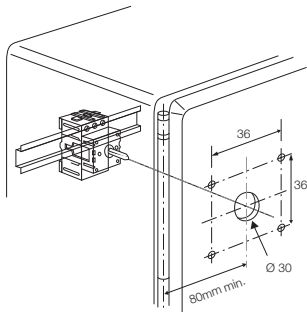
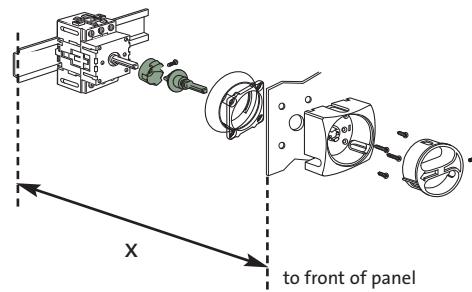


### Door Interlock System

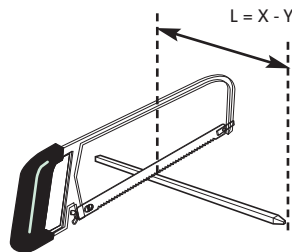
#### Short or Long Metal Shaft Version



#### No Metal Shaft Version



Minimum Distance to Hinge



	X			Y
	without shaft	with short shaft	with long shaft	
25A / 32A	86 - 100 mm	125 - 250 mm	125 - 400 mm	92 mm
50A / 63A	96 - 110 mm	135 - 260 mm	135 - 410 mm	102 mm
80A / 100A	106 - 120 mm	145 - 270 mm	145 - 420 mm	112 mm