

25A / 32A

▶ EMPTY ENCLOSURES

 Technical Info (p. 192)

PADLOCKABLE PRESENTATION

Part Number



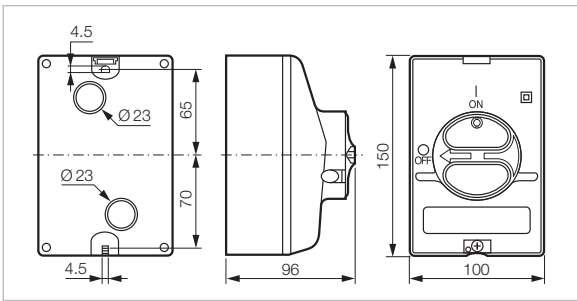
0172399

Dimensions 150 x 100 x 96 mm
 Supplied with padlockable handle,
 weatherproof seal and relay terminal
 For 3 and 4-pole switches with and without NC/NO
 Cable entries: 4 x PG16/M25

IP66-IK7

Grey base - yellow cover - red handle
 Grey base - grey cover - grey handle

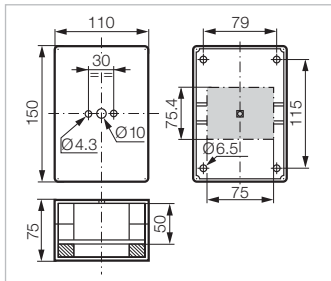
0172399
0174399



WITHOUT HANDLE



0172549

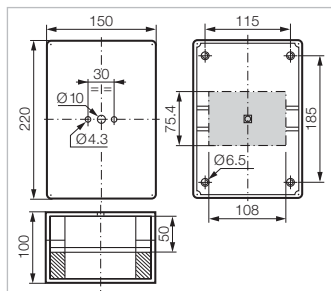


Grey - Up to 4 poles + auxiliary contact
 150 x 110 x 75 mm
 Cable entries: 4 x PG16

0172549



0172559



Grey - Up to 6 poles + auxiliary contact
 220 x 150 x 100 mm
 Cable entries: 4 x PG21

0172559