

**DIN Valve connectors with molded cable, IP65 rated.  
IP67 version available on request.**

## Specifications

### ELECTRICAL

Current: max. 5.0A  
Contact Resistance: ≤15milliohms max.  
Insulation Resistance:  
100Megohms min.

### MECHANICAL

Insertion and Withdrawal Force:  
2+GND ≤ 60N

### PHYSICAL

Durability: min. 50 cycles  
Contact Area: Silver  
Operating Temperature with:  
Nitrile Rubber (NBR) Gasket:  
-40° +90°C  
Silicone Gasket: -40° +125°C  
Live Contact Distance:  
Form A 18.00mm  
Form Industrial 11.00mm  
Form B 10.00mm

### ENVIRONMENTAL

IP65 sealing protection  
(IP67 available on request)

## Electronic and Non Electronic

**E6 5 2 N2 N A 26 1 1 C4 1**

### SERIES

**E6**=Overmolded Dual DIN Cordset

### SERIES

**5**=Form A **6**=Form Industrial **7**=Form B

### NUMBER OF POLES

**2**=2 Poles + No GND connected

**3**=2 Poles + GND connected

**A**=M12 Straight **B**=M12 90°

### CABLE

see cable options on technical features page 32

### HEAD COLOR

**N**=Black **G**=Gray **A**=UL Black (only with UL listed cable)

### MAIN CABLE LENGTH (m)

**A**=1 **B**=1,5 **C**=2 **D**=2,5 **E**=3 **F**=3,5 **G**=4 **H**=4,5 **L**=5 **M**=5,5 **N**=6  
**P**=6,5 **Q**=7 **R**=7,5 **S**=8 **T**=8,5 **U**=9 **K**=10 **O**=M12 Molded on DIN Head

### DISTANCE BETWEEN THE HEADS

e.g. **26**=26cm (min distance between 2 heads 13cm)

### GROUND LOCATION

**1**=Double Ground H6/H12 **2**=H12 **6**=H6

### SCREW & GASKET

**1**=Profile NBR Gasket & Screw, **2**=Flat NBR Gasket & Screw

**3**=White Silicone Profile Gasket & Screw, **4**=White Silicone Flat Gasket & Screw

**P**=Integrated NBR Gasket Assembled + IP67 Fixing Screw

### CIRCUIT

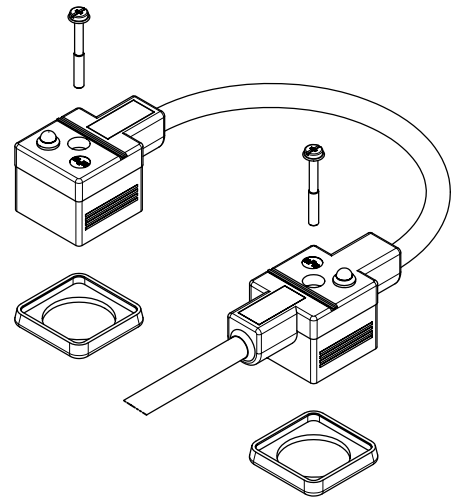
see page No. 33

### VOLTAGE & LED COLOR

see page No. 33

## mPm® Molded Cable DIN Valve Connectors

**121055 DUAL DIN Valve,  
Overmolded,  
Non-Electronic or Electronic**



This technical data is referred on the DIN connector head, for Brad® connector data please refer to the proper catalogue

**Build your connector using the intelligent part number system and contact your local sales representative to identify the proper EDP number to use in your purchase orders**

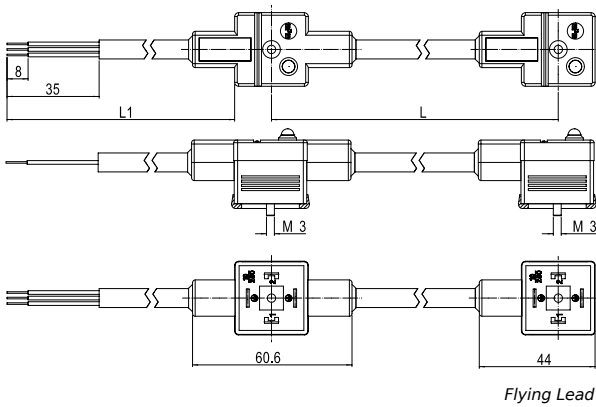
Ground Position	Poles	Circuit	Voltage	LED Color	Engineering No.	Standard Order No.
Check Sales Drawing on www.molex.com	2+Ground connected	C4	24V AC/DC	yellow	E653P3NA1311C4H	121055-0161
			230V AC/DC		E653P3NA1311C4M	121055-0292
	2+Ground not connected		24V AC/DC		E662P3NA1361C4H	121055-0293
			230V AC/DC		E662P3NA1361C4M	121055-0294
			24V AC/DC		E672P3NA1361C4H	121055-0295
			230V AC/DC		E672P3NA1361C4M	121055-0296

DIN Valve connectors with molded cable, IP65 rated.  
IP67 version available on request.

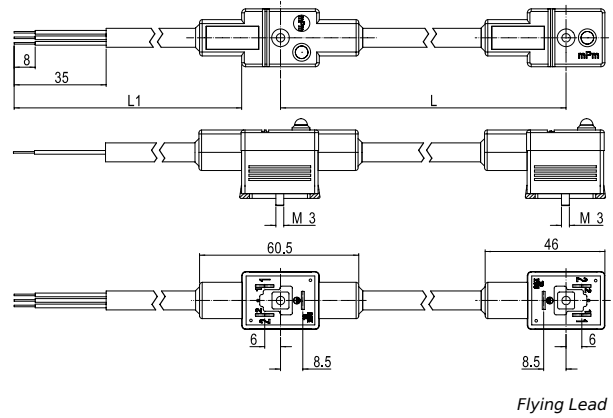
## mPm® Molded Cable DIN Valve Connectors

121055 DUAL DIN Valve,  
Overmolded,  
Non-Electronic or Electronic

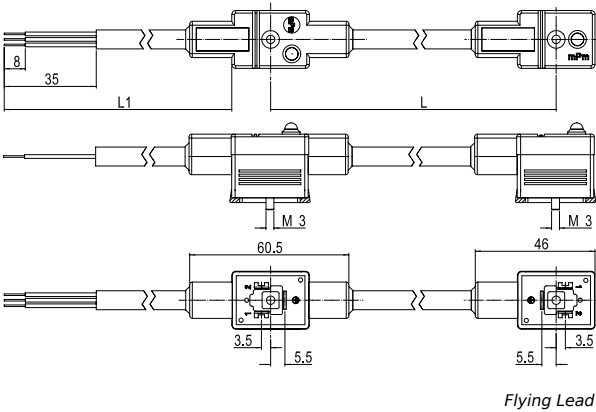
### E65 Dual DIN Form A



### E66 Dual DIN Form Industrial



### E67 Dual DIN Form B



### Brad® Micro-Change M12

