



Solenoid valve 2/2 way N.C. Direct acting

21ALBK1V15
÷
21ALBK1V30

PRESENTATION:

Direct acting S.V. for interception of fluids compatible with the construction materials.

Minimum operational pressure is not required.

The materials used and the tests carried out ensure maximum reliability and duration.

USE: Automation, Vending
Heating

PIPES: subplate mounting

COIL: 8W - Ø 13 (1)
BDA - BSA 155°C (class F)
BDV 180°C (class H)
12W - Ø 13
UDA 155°C (class F)
14W - Ø 13
GDH - GDV 180°C (class H)
(1) Explosion-proof housing for coils with electrical connections EN 175301-803 on request.



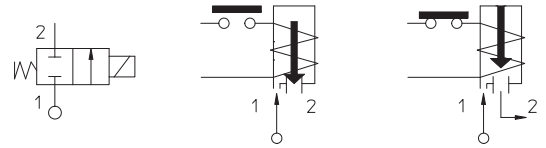
COIL HOUSING AND COIL FORMER MATERIAL ARE MADE BY 100% VIRGIN MATERIAL.

Max. allowable pressure (PS) 40 bar

Ambient temperature:

See coils catalogue page for its compatibility.

Gaskets	Temperature		Medium
V=FKM (fluoroelastomer)	- 10°C	+140°C	Mineral oils (2°E), gasoline gas oil, fuel oils (7°E), Water



Pipe	Code	Max viscosity		Ø mm	Kv l/mn	Power watt	Pressure		
		cSt	°E				min bar	M.O.P.D.	
								AC bar	DC bar
SUBPLATE MOUNTING	21ALBK1V15	12	~ 2	1,5	1,4	0	30	18	
	21ALBK1V20	37	~ 5	2	2		22	16	
							35	30	
	21ALBK1V25	53	~ 7	2,5	3,2		8	14	9
							12	30	25
							14	10	6
	21ALBK1V30			3	4		8	25	18
							12	18	20
							14		

Note

Available on request and with minimum quantities.

The "ODE" reserves the right to carry out technical and aesthetic modifications without prior notice.

MATERIALS:

Body	Stainless steel AISI series 300
Armature tube	Stainless steel AISI series 300
Fixed core	Stainless steel AISI series 400
Plunger	Stainless steel AISI series 400
Phase displacement ring	Gold plated copper
Spring	Stainless steel AISI series 300
Seal	V=FKM
Orifice	Stainless steel AISI series 300

On request:

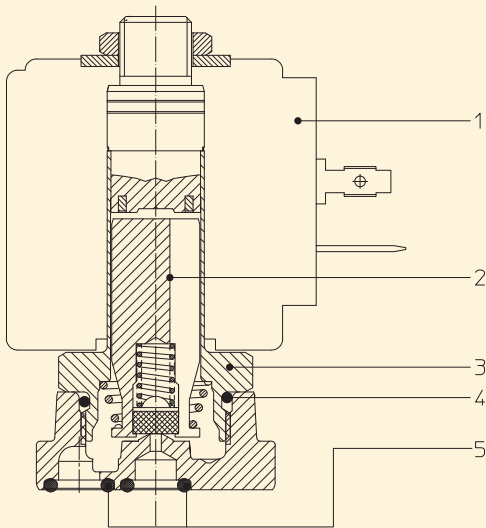
Connector	Pg 9 or Pg 11
Connector conformity	ISO 4400

FEATURES:

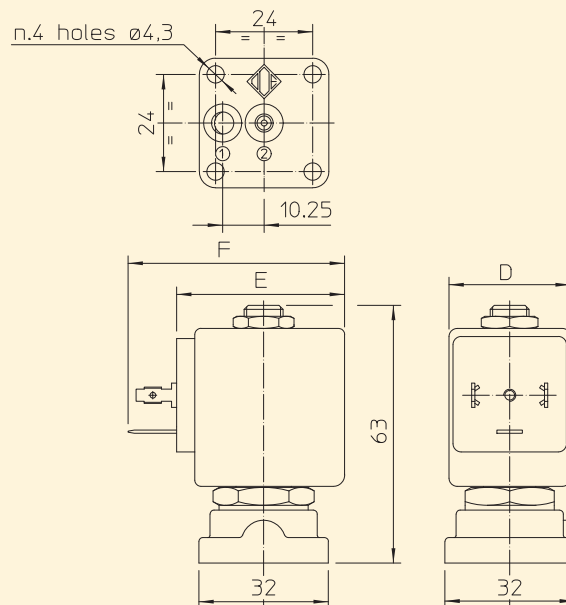
Electrical conformity	IEC 335
Protection degree	IP 65 EN 60529 (DIN 40050) with coil fitted by connector.

SPARE PARTS:

- Coil:**
See coils list
- Complete plunger:**
Code R450886/V
- Complete armature tube:**
Code R450811
- Gasket O-Ring:**
Code R990000/V
- Gasket O-Ring:**
Code R990002/S



DIMENSIONS:



COIL TYPE	POWER ABSORPTION			DIMENSIONS		
	W =	Hold VA ~	Inrush VA ~	D mm	E mm	F mm
B	8	14,5	25	30	42	54
U	12	23	35	36	48	60
G	14	27	43	52	55	67