



Solenoid valve 2/2 way N.C. Combined operation

21IH3K1V150-OX
÷
21IH8K1V400-SOX

PRESENTATION:

Combined operation S.V. for interception of fluids compatibles with the construction materials.
Minimum operational pressure is not required.
The materials used and the tests carried out ensure maximum reliability and duration.
Components, in contact with fluid, oils and greases free and compatible with oxygen for Industrial use.

USE: Automation
Chemical

PIPES: G 3/8 - G 1 1/2

COILS:
8W - Ø 13
BDA - BSA 155°C (class F)
BDV 180°C (class H)
12W - Ø 13
UDA 155°C (class F)
14W - Ø 13
GDH - GDV 180°C (class H)

COIL HOUSING AND COIL FORMER MATERIAL ARE MADE BY 100% VIRGIN MATERIAL.

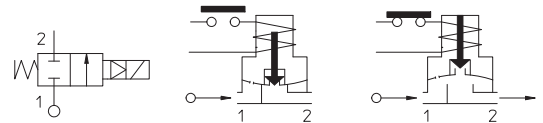
Max. allowable pressure (PS) 16 bar

Ambient temperature:

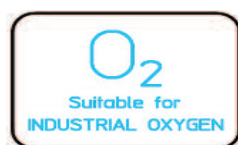
See coils catalogue page for its compatibility.



Gaskets	Temperature		Medium
V=FKM (fluoroelastomer)	- 10°C	+ 60°C	Oxygen



Pipe ISO 228/1	Code	Ø mm	Kv l/mn	Power watt	Pressure		
					min bar	M.O.P.D. AC bar DC bar	
G 3/8	21IH3K1V150-OX	15	40	8	0	14	6
				12		-	14
G 1/2	21IH4K1V160-OX	16	50	8		14	6
				12		-	14
G 3/4	21IH5K1V200-OX	20	60	8		14	6
				12		-	14
G 1	21IH6K1V250-OX	25	140	8		14	3
				12		-	8
G 1 1/4	21IH7K1V350-OX	35	300	14		-	14
	21IH7K1V350-SOX		250			-	7
	21IH8K1V400-OX		320		14	-	
G 1 1/2	21IH8K1V400-OX	40	320	250	-	-	
	21IH8K1V400-SOX		250		-	7	



CE Approval

(Pressure Equipment Directive 97/23/CE)
for S.V. 21IH7..-OX+21IH8..-SOX

Note Don't use as a safety Valve.

The "ODE" reserves the right to carry out technical and aesthetic modifications without prior notice.

MATERIALS:

Body	Stainless steel AISI 316
Armature tube	Stainless steel AISI series 300
Fixed core	Stainless steel AISI series 400
Plunger	Stainless steel AISI series 400
Phase displacement ring	Gold plated copper
Spring	Stainless steel AISI series 300
Seal	V=FKM (compatible with O ₂)
Orifice	Stainless steel AISI 316

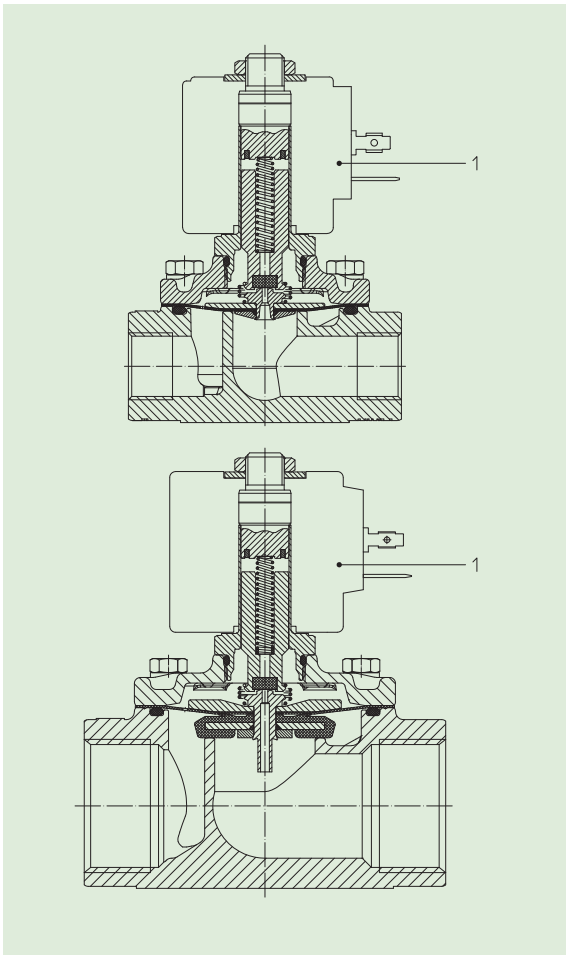
On request:	
Connector	Pg 9 or Pg 11
Connector conformity	ISO 4400

FEATURES:

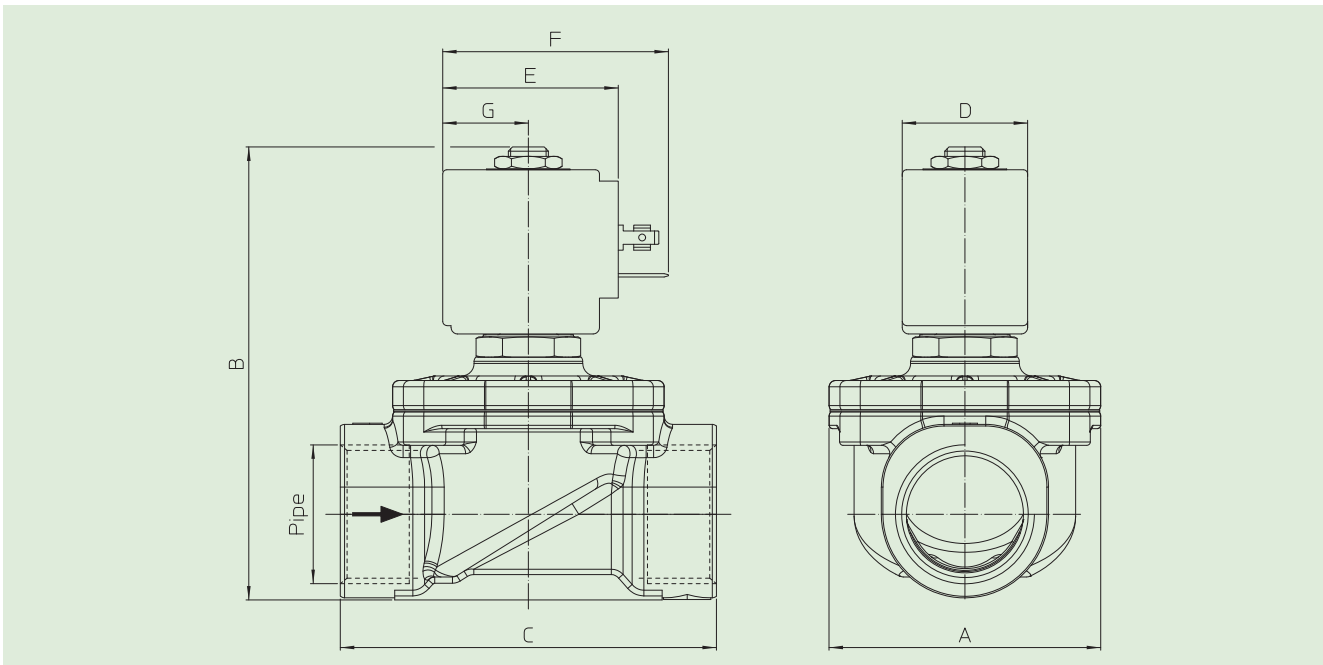
Electrical conformity	IEC 335
Protection degree	IP 65 EN 60529 (DIN 40050) with coil fitted by connector.

SPARE PARTS:

- Coil:**
See coils list



DIMENSIONS:



Type	Pipe ISO 228/1	A mm	B mm	C mm
21IH3K1V150-OX	G 3/8	52	92	68
21IH4K1V160-OX	G 1/2			
21IH5K1V200-OX	G 3/4	58	100	75
21IH6K1V250-OX	G 1	65	109	90
21IH7K1V350-OX	G 1 1/4	94	126	128
21IH7K1V350-SOX				
21IH8K1V400-OX	G 1 1/2			
21IH8K1V400-SOX				

COIL TYPE	POWER ABSORPTION			DIMENSIONS			
	W ---	Hold VA ~	Inrush VA ~	D mm	E mm	F mm	G mm
B	8	14,5	25	30	42	54	20,5
U	12	23	35	36	48	60	23,5
G	14	27	43	52	55	67	25