



# Solenoid valve 2/2 way N.C. Combined operation Explosion proof - Atex Ex d

21H3KIV150  
÷  
21H8KIV400

## PRESENTATION:

Combined operation S.V. for interception of fluids compatible with the construction materials. Aluminium coil housing, explosion proof "Ex d". Electrical and electromechanical components according to Atex Directive 2014/34/EU. Minimum operational pressure is not required. The materials used and the tests carried out ensure maximum reliability and duration.

**USE:** Potentially explosive atmospheres  
Zone 1, 2, 21, 22

**PIPES:** G 3/8 - G 1 1/2

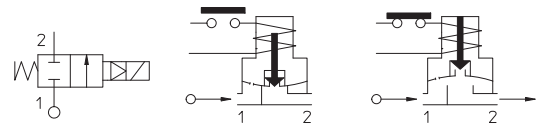
**COIL:** 8W - Ø 13  
BDV 180°C (class H)

Max. allowable pressure (PS) 16 bar  
Housing ambient temperature - 40°C + 60°C



Gaskets	Temperature		Medium
<b>V</b> =FKM+ PA (fluorelastomer+polyamide)	- 10°C	+80°C	Mineral oils (2°E),gasoline gas oil
<b>B</b> =NBR (nitrile rubber) + PA (polyamide)	- 10°C	+ 80°C	Air, inert gas, water

For seals other than FKM replace the letter "V" with the ones corresponding to the other seals. E.I. 21H3KIB150.



Pipe ISO 228/1	Code	Max viscosity		Ø mm	Kv l/min	Power watt	Pressure		
		cSt	°E				min bar	M.O.P.D. AC bar DC bar	
G 3/8	21H3KIV150	12	~ 2	15	40	8	0	14	6
G 1/2	21H4KIV160			16	50				
G 3/4	21H5KIV200			20	60				
G 1	21H6KIV250			25	140				
G 1 1/4	21H7KIV350			35	300			9	-
G 1 1/2	21H8KIV400			40	320				



**CE Approval**  
(Pressure Equipment Directive 2014/68/EU)  
for S.V. 21H7÷21H8

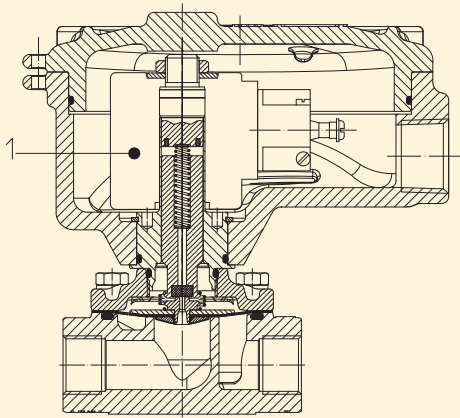


(According to Directive 2014/34/EU ATEX )  
II 2G Ex d IIC T6 or T5 Gb  
II 2D Ex tb IIIC T80°C or T95°C Db IP67

## Note

Available on request and with minimum quantities.

The "ODE" reserves the right to carry out technical and aesthetic modifications without prior notice.



**MATERIALS:**

**Body** Stainless steel AISI 316  
**Armature tube** Stainless steel AISI 316  
**Fixed core** Stainless steel AISI series 400  
**Plunger** Stainless steel AISI series 400  
**Phase displacement ring** Gold plated copper  
**Spring** Stainless steel AISI series 300  
**Seal** Standard: V=FKM+PA  
 On request: B=NBR+PA  
**Orificie** Stainless steel AISI 316  
**Coil housing:** Die cast and passivated Aluminium

**Connector conformity** ISO 4400

**FEATURES:**

**Electrical conformity** IEC 335  
**Protection degree** IP 67 EN 60529 (DIN 40050)  
 if installed with cable gland Atex Ex d  
 IP67 or higher

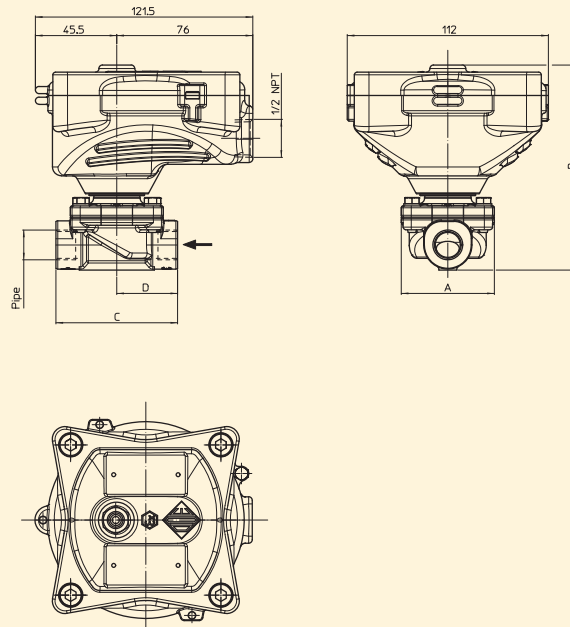
**SPARE PARTS:**

**1. Coil:**  
 See coils list for  
 Solenoid valves explosion  
 proof Atex - Ex d

**ACCESSORIES:**

Code P992219 Cable Gland  
 (to be ordered separately)

**DIMENSIONS:**



Type	Pipe ISO 228/1	A mm	B mm	C mm	D mm
21IH3KIV150	G 3/8	52	114,5	68	34
21IH4KIV160	G 1/2				
21IH5KIV200	G 3/4	58	123	75	37,5
21IH6KIV250	G 1	65	131	90	45
21IH7KIV350	G 1 1/4	94	126,5	128	64
21IH8KIV400	G 1 1/2				

COIL TYPE	POWER ABSORPTION		
	W ==	Hold VA ~	Inrush VA ~
B	8	14,5	25