



FEATURES

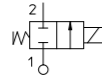
- ▶ Compact design
- ▶ Minimum pressure is not required
- ▶ Version DVGW approved for gas application

TECHNICAL SPECIFICATION

- ▶ **Body material:** Brass UNI EN 12165 CW617N
- ▶ **Armature tube:** Brass UNI EN 12165 CW617N
- ▶ **Plungers:** Stainless Steel AISI 400 series
- ▶ **Spring:** Stainless Steel AISI 300 series
- ▶ **Media:** mineral oils, gasoline, diesel, fuel oils, water, air, inert fluids, inert gases, combustible gases
- ▶ **Ambient temperature:** See coils catalogue page for its compatibility
- ▶ **Fluid temperature:** -10°C +140°C with seals FKM  
-10°C +90°C with seals NBR
- ▶ **Working temperature for S.V. approved:** -15°C +80°C
- ▶ **Design pressure PS:** 30 bar
- ▶ **Protection class:** IP 65 (complete with electric plug)
- ▶ **Electrical conformity:** IEC 335
- ▶ **Switching time:** 20 msec (depending on pressure conditions)

AVAILABLE ON REQUEST

- ▶ Explosion proof coil Ex nA (see Atex section)



21T	1	B	V	17		B	D	A	08	024	A	S
Model valve	1= G 1/8	K= N.C.	V= FKM	17 22 28 40	Orefice 10 <sup>-1</sup> mm	B= 30mm Ø 13	D EN 175301-803	A= Class F	08= 8W	024= 24V	C= DC	S= Without Approval
	V= Class H							04= 4W	110= 110V-120V	A= AC	Y= UL, CSA, VDE	
	2= G 1/4									230= 230V	D= AC	

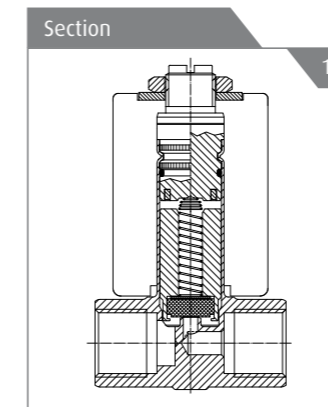
PIPE	Ø (mm)	Kv (l/min)	MAX VISCOSITY cSt (°E)	PRESSURE min	PRESSURE MAX MOPD (bar)				GAS CODE	NPT CODE	DRAWING REFERENCE
					COIL TYPE						
					AC		DC				
					B		B				

Normally Closed

G 1/8	1,7	1,5	37(5)	0	30		15		21TG1KROV17	21TN1KROV17	1
	2,2	2,1	37(5)	0	20		10		21TG1KROV22	21TN1KROV22	1
	2,8	3,5	53(7)	0	12		6		21TG1KROV28	21TN1KROV28	1
	4	5	53(7)	0	6		2		21TG1KROV40	21TN1KROV40	1
G 1/4	1,7	1,5	37(5)	0	30		15		21TG2KROV17	21TN2KROV17	1
	2,2	2,1	37(5)	0	20		10		21TG2KROV22	21TN2KROV22	1
	2,8	3,5	53(7)	0	12		6		21TG2KROV28	21TN2KROV28	1
	4	5	53(7)	0	6		2		21TG2KROV40	21TN2KROV40	1

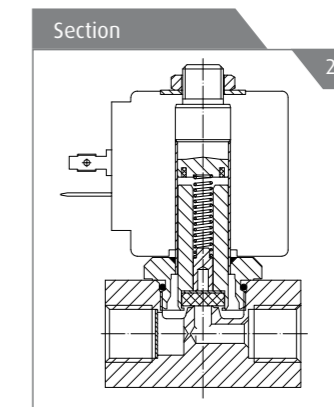
Normally Closed DVGW Approval

G 1/4	4	5	53(7)	0	2		-		21T2BB40-F-AP		1
			-	0	2		-		2362-AP		2



RELATED ITEMS

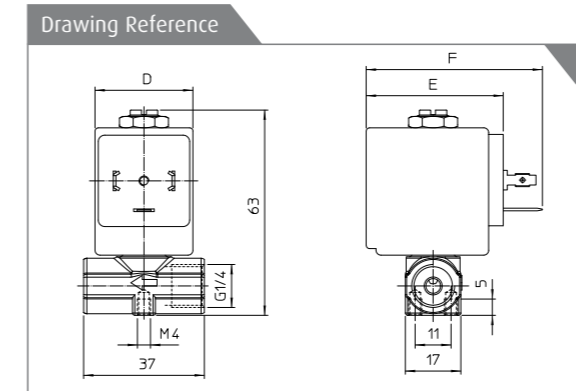
- ▶ P990305: Electrical plug EN 175301-803 Pg9
- ▶ P990306: Electrical plug EN 175301-803 Pg11



COIL P/N  
RBDA04230AS

INSTALLATION

- ▶ The solenoid valves can be installed in any position
- ▶ Fixing holes
- ▶ Other port connections available on request
- ▶ Instruction sheet available in each solenoid valve box
- ▶ Coils available as spares



Dimensionale Table

Figure	Pipe	Coil Type	D mm	E mm	F mm
1	G 1/8	B	30	42	54
	G 1/4				

