



Solenoid valve 2/2 way N.C. With pilot control equipped with kit and coil Ex mb

21WA3QDV130
÷
21WA4QDV130

PRESENTATION:

S.V. with pilot control for interception of fluids compatible with the construction materials.

A minimum operational pressure of 0,2 bar is required.

The materials used and the tests carried out ensure maximum reliability and duration.

USE: Potentially explosive atmospheres

PIPES: G 3/8 - G 1/2

COIL: Series TNA - Ø 14,5
(For characteristic see catalogue page)

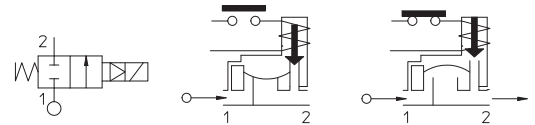
Max. allowable pressure (PS) 25 bar

Ambient temperature:

See coils catalogue page for its compatibility.



Gaskets	Temperature		Medium
V=FKM (fluoroelastomer)	- 10°C	+ 80°C	Mineral oils (2°E), gasoline gas oil
F=H-NBR (hydrogenated nitrile)	- 20°C	+ 80°C	Air, inert gas, water R 134a, R 404a



For seals other than FKM replace the letter "V" with the ones corresponding to the other seals. E.I. 21WA3QDF130.

Pipe ISO 228/1	Code	Max viscosity		Ø mm	Kv l/mn	Power watt	Pressure		
		cSt	°E				min bar	M.O.P.D. AC bar DC bar	
G 3/8	21WA3QDV130	12	~ 2	13	60	(See TNA coils catalogue page)	0,2	16	16
G 1/2	21WA4QDV130				70				

According to Directive 2014/34/EU ATEX



The "ODE" reserves the right to carry out technical and aesthetic modifications without prior notice.

MATERIALS:

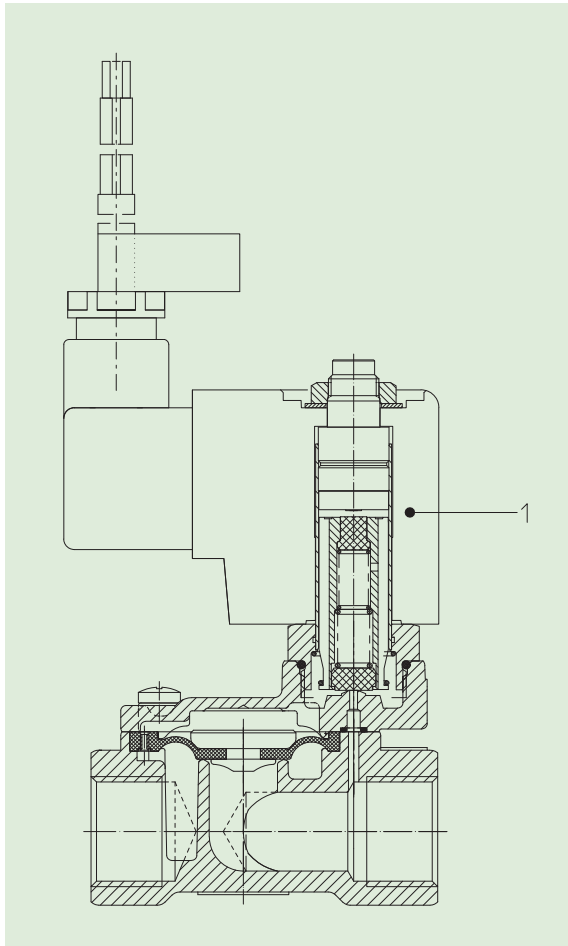
Body	Brass - UNI EN 12165 CW617N
Armature tube	Stainless steel AISI series 300
Fixed core	Stainless steel AISI series 400
Plunger	Stainless steel AISI series 400
Phase displacement ring	Copper - Cu 99,9%
Spring	Stainless steel AISI series 300
Seal	Standard: V=FKM On request: F=H-NBR
Orifice	Brass - UNI EN 12165 CW617N

FEATURES:

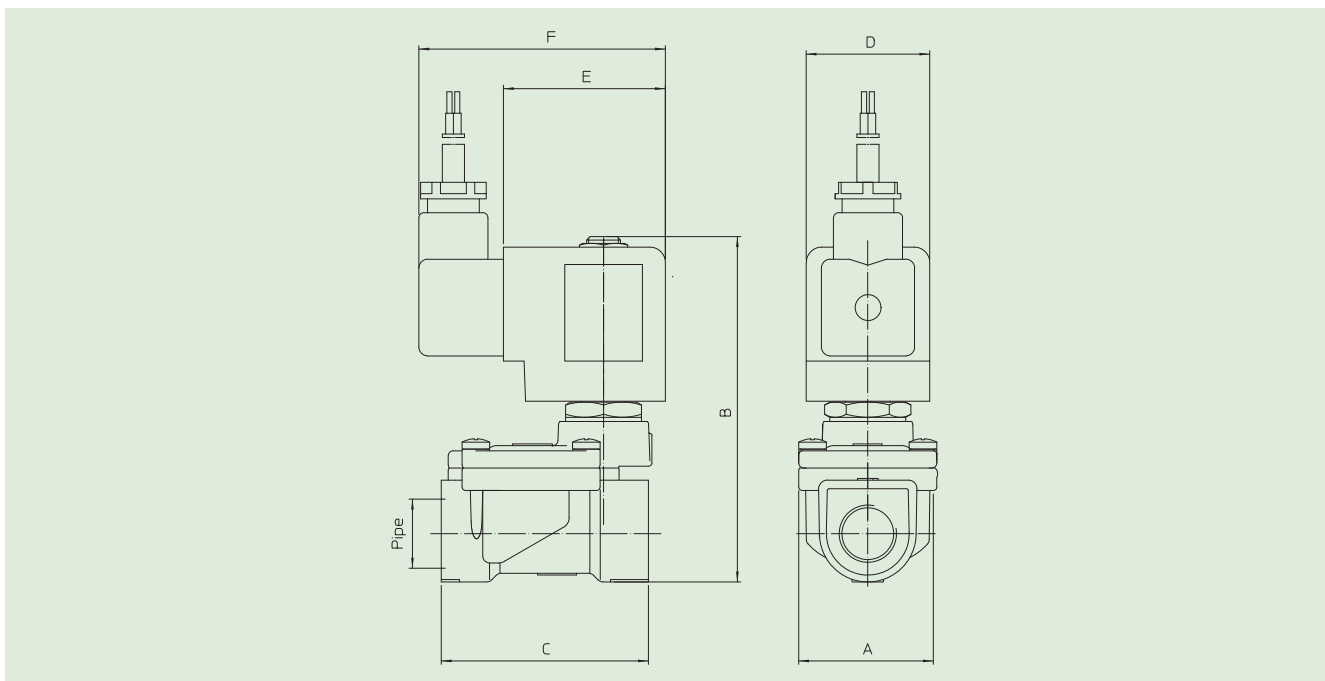
Protection degree	IP 65 EN 60529 (DIN 40050)
--------------------------	----------------------------

SPARE PARTS:

- Coil:**
See TNA coils list



DIMENSIONS:



Type	Pipe ISO 228/1	A mm	B mm	C mm
21WA3QDV130	G 3/8	40	103	60
21WA4QDV130	G 1/2			66

COIL TYPE	DIMENSIONS		
	D mm	E mm	F mm
T	36	47	76