



# Solenoid valve 2/2 way N.C. With pilot control equipped with kit and coil Ex mb

21X2QDV120  
÷  
21X4QDV250

## PRESENTATION:

S.V. with pilot control for interception of fluids compatible with the construction materials.

A minimum operational pressure of 0,1 bar is required.

The materials used and the tests carried out ensure maximum reliability and duration.

**USE:** Potentially explosive atmospheres

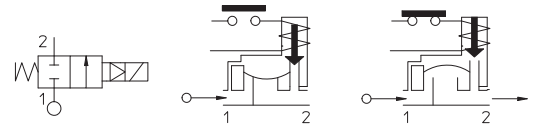
**PIPE:** G 1/2 - G 1

**COILS:** Series TNA - Ø 14,5  
(For characteristic see catalogue page)

Max. allowable pressure (PS) 25 bar  
See coils catalogue page for its compatibility.



Gaskets	Temperature		Medium
V=FKM (fluoroelastomer)	- 10°C	+ 80°C	Mineral oils (2°E), gasoline gas oil, fuel oils (7°E)

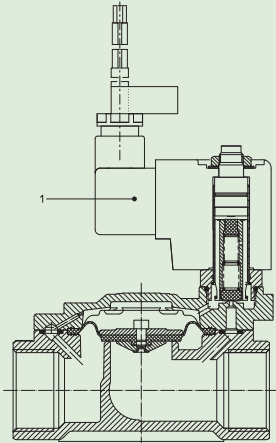
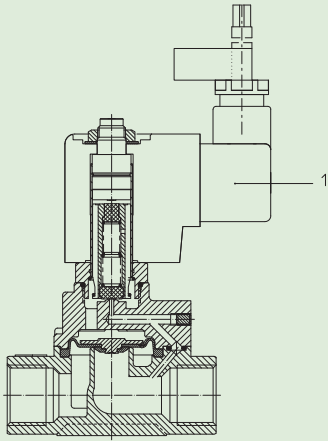


Pipe ISO 228/1	Code	Max viscosity		Ø mm	Kv l/mn	Power watt	Pressure		
		cSt	°E				min bar	M.O.P.D. AC bar DC bar	
G 1/2	21X2QDV120	12	~ 2	12	35	(See TNA coils catalogue page)	0,1	16	16
G 3/4	21X3QDV190			19	130				
G 1	21X4QDV250			25	160				

According to Directive 2014/34/EU ATEX



The "ODE" reserves the right to carry out technical and aesthetic modifications without prior notice.



#### MATERIALS:

<b>Body</b>	Stainless steel AISI 316
<b>Armature tube</b>	Stainless steel AISI series 300
<b>Fixed core</b>	Stainless steel AISI series 400
<b>Plunger</b>	Stainless steel AISI series 400
<b>Phase displacement ring</b>	Gold plated copper
<b>Spring</b>	Stainless steel AISI series 300
<b>Seal</b>	V=FKM
<b>Orifice</b>	Stainless steel AISI 316

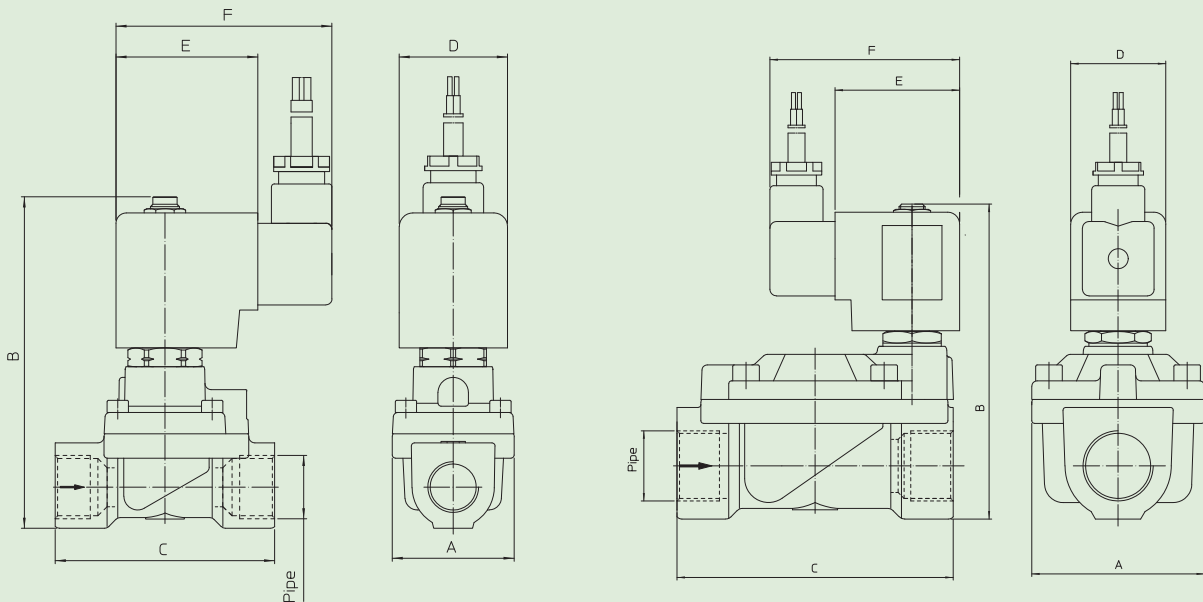
#### FEATURES:

<b>Protection degree</b>	IP 65 EN 60529 (DIN 40050)
--------------------------	----------------------------

#### SPARE PARTS:

- Coil:**  
See TNA coils list

#### DIMENSIONS:



Type	Pipe ISO 228/1	A mm	B mm	C mm
21X2QDV120	G 1/2	40	110	73
21X3QDV190	G 3/4	65	120	104
21X4QDV250	G 1			

COIL TYPE	DIMENSIONS		
	D mm	E mm	F mm
T	36	47	76