



# Solenoid valve 2/2 way N.O. Direct acting

21A3ZR15D  
÷  
21A2ZR30G

## PRESENTATION:

Direct acting S.V. for interception of fluids compatible with the construction materials.

Minimum operational pressure is not required.

The materials used and the tests carries out ensure maximum reliability and duration.

**USE:** Hot water, Heating  
Steam (180°C)

**PIPES:** G 1/8 - G 1/4

**COILS:**

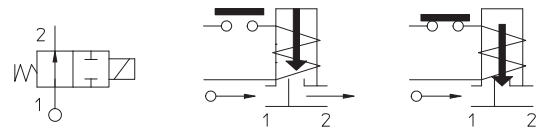
8W - Ø 13	
BDA - BSA	155°C (class F)
BDV	180°C (class H)
12W - Ø 13	
UDA	155°C (class F)
14W - Ø 13	
GDH - GDV	180°C (class H)

**COIL HOUSING AND COIL FORMER MATERIAL ARE  
MADE BY 100% VIRGIN MATERIAL.**

Max. allowable pressure (PS) 40 bar

Ambient temperature:

See coils catalogue page for its compatibility.



Gaskets	Temperature		Medium
	- 40°C	+180°C	
R=RUBY			Steam, water, mineral oils (2°E), gas oil, fuel oils (7°E)

Pipe ISO 228/1	Code	Max viscosity		Ø mm	Kv l/mn	Power watt	Pressure			
		cSt	°E				min bar	M.O.P.D.		
								AC bar	DC bar	
G 1/8	21A3ZR15D	12	~ 2	1,5	1,4	8	0	35	35	
	21A3ZR20D	37	~ 5	2	2			30	30	
	21A3ZR25D	53	~ 7	2,5	3,2			12	16	16
	21A3ZR25G							14	17	17
	21A3ZR30D			3	4			8	10	10
	21A3ZR30G							12	15	15
14										
G 1/4	21A2ZR15D	12	~ 2	1,5	1,4	8	0	35	35	
	21A2ZR20D	37	~ 5	2	2			30	30	
	21A2ZR25D	53	~ 7	2,5	3,2			12	16	16
	21A2ZR25G							14	17	17
	21A2ZR30D			3	4			8	10	10
	21A2ZR30G							12	15	15
14										

## Note

Also available with brass body without lead.

The use of rigid sealings usually implies a slight leakage, limited within 2scc/min at the pressure of 1 bar.

The "ODE" reserves the right to carry out technical and aesthetic modifications without prior notice.

### MATERIALS:

<b>Body</b>	Brass - UNI EN 12165 CW617N
<b>Armature tube</b>	Stainless steel AISI series 300
<b>Fixed core</b>	Stainless steel AISI series 400
<b>Plunger</b>	Stainless steel AISI series 400
<b>Phase displacement ring</b>	Copper - Cu 99,9%
<b>Spring</b>	Stainless steel AISI series 300
<b>Seal</b>	R=RUBY
<b>Orifice: Insert slot</b>	Stainless steel AISI series 300

### On request:

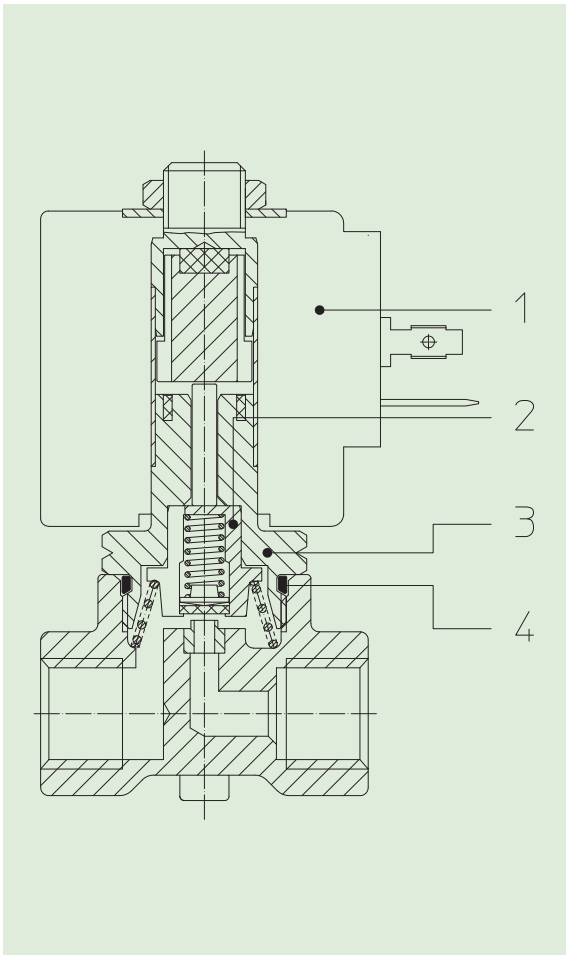
<b>Connector</b>	Pg 9 or Pg 11
<b>Connector conformity</b>	ISO 4400

### FEATURES:

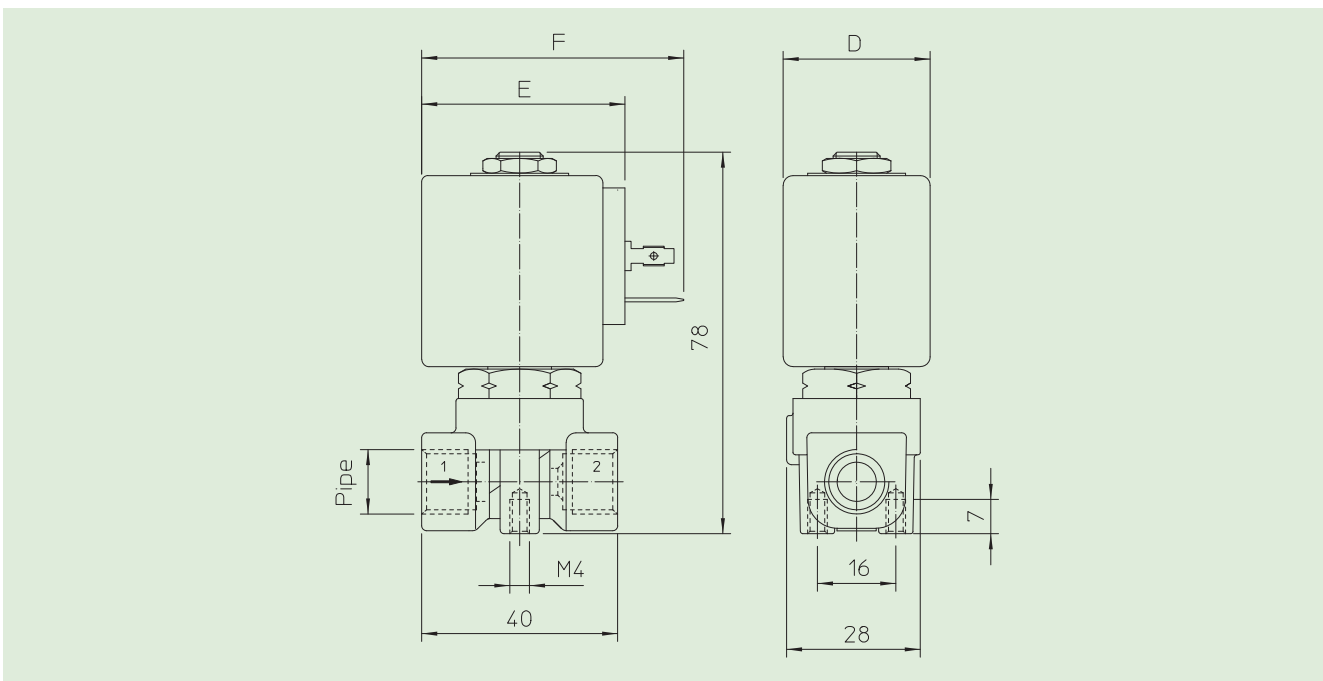
<b>Electrical conformity</b>	IEC 335
<b>Protection degree</b>	IP 65 EN 60529 (DIN 40050) with coil fitted by connector.

### SPARE PARTS:

<b>1. Coil:</b>	See coils list	<b>KIT:</b>
		8W
<b>2. Complete diaphragm support:</b>	8W Code R450789	KT130ZR30-F=2+3+4
	12W - 14W	12W - 14W
	Code R450789/14	KT130ZR30-G=2+3+4
<b>3. Complete armature tube without gasket:</b>	Code R450573	
<b>4. Gasket O-Ring:</b>	Code R990000/V	



### DIMENSIONS:



Type	Pipe ISO 228/1
21A3ZR	G 1/8
21A2ZR	G 1/4

COIL TYPE	POWER ABSORPTION			DIMENSIONS		
	W ==	Hold VA ~	Inrush VA ~	D mm	E mm	F mm
B	8	14,5	25	30	42	54
U	12	23	35	36	48	60
G	14	27	43	52	55	67