



Solenoid valve 2/2 way N.C. With pilot control

21X2KV120
÷
21X4KV250

PRESENTATION:

S.V. with pilot control for interception of fluids compatible with the construction materials.

A minimum operational pressure of 0,1 bar is required.

The materials used and the tests carried out ensure maximum reliability and duration.

USE: Automation, Chemistry,
Low pressure steam

PIPES: G 1/2 - G 1

COILS: 8W - Ø 13
BDA - BSA 155°C (class F)
BDV 180°C (class H)

**COIL HOUSING AND COIL FORMER MATERIAL ARE
MADE BY 100% VIRGIN MATERIAL.**

Max. allowable pressure (PS)

G 1/2 25 bar

G 3/4 - G 1 22 bar

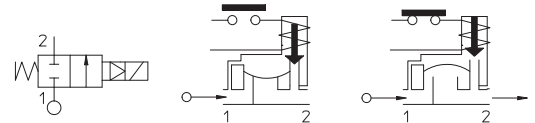
Ambient temperature:

See coils catalogue page for its compatibility.

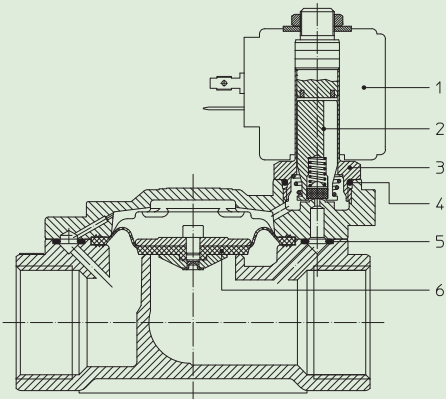
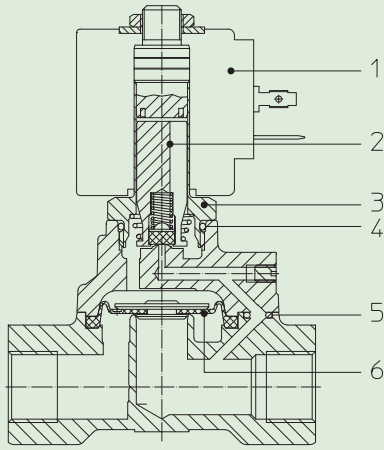


Gaskets	Temperature		Medium
	- 10°C	+140°C	
V=FKM (fluoroelastomer)	- 10°C	+140°C	Deminerlized water, chemical products compatible with stainless steel
B=NBR (nitrile rubber)	- 10°C	+ 90°C	Air, water, chemical products compatible with stainless steel
E=EPDM (ethylene-propylene)	- 10°C	+140°C	Water, low pressure steam

For seals other than FKM replace the letter "V" with the ones corresponding to the other seals. E.I. 21X2KB120.



Pipe ISO 228/1	Code	Max viscosity		Ø mm	Kv l/mn	Power watt	Pressure			
		cSt	°E				min bar	M.O.P.D.		
								AC bar	DC bar	
G 1/2	21X2KV120	12	~ 2	12	35	8	0,1	20	20	
G 3/4	21X3KV190			19						130
G 1	21X4KV250			25						160



MATERIALS;

Body Stainless steel AISI 316
Armature Tube Stainless steel AISI series 300
Fixed core Stainless steel AISI series 400
Plunger Stainless steel AISI series 400
Phase displacement ring Gold plated copper
Spring Stainless steel AISI series 300
Seal Standard: V=FKM
 On request: B=NBR E=EPDM
Orifice Stainless steel AISI 316

On request:
Connector Pg 9 or Pg 11
Connector conformity ISO 4400

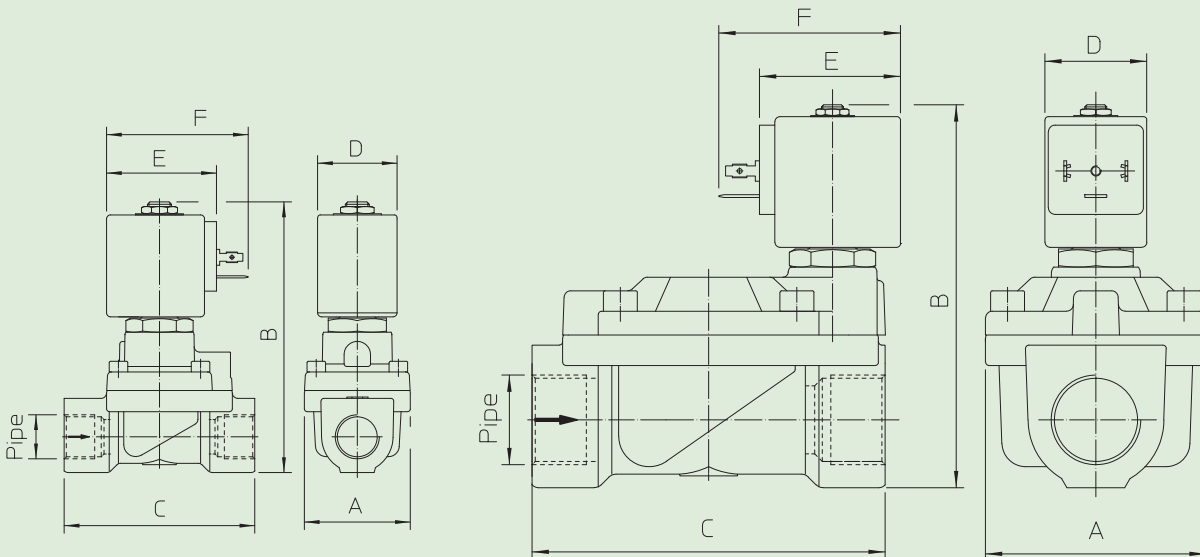
FEATURES:

Electrical conformity IEC 335
Protection degree IP 65 EN 60529 (DIN 40050)
 with coil fitted by connector.

SPARE PARTS:

- | | |
|--|--|
| 1. Coil:
See coils list | 6. Complete diaphragm:
G 1/2 Code R451816/V
G 3/4- G 1 Code R450958/V |
| 2. Complete plunger:
Code R450886/V | |
| 3. Complete armature tube without gasket:
Code R450811 | KIT:
KT130KV30-H=2+3+4 |
| 4. Gasket O-Ring:
Code R990000/V | MAINTENANCE KIT:
G 1/2
KTG0X1KV12=2+5+6 |
| 5. Gasket O-Ring:
G 1/2 Code R990003/V
G 3/4-G 1 Code R990002/V | G 3/4- G 1
KTG0X3KV19=2+5+6 |

DIMENSIONS:



Type	Pipe ISO 228/1	A mm	B mm	C mm
21X2KV120	G 1/2	40	103	73
21X3KV190	G 3/4	65	115	104
21X4KV250	G 1			

COIL TYPE	POWER ABSORPTION			DIMENSIONS		
	W ==	Hold VA ~	Inrush VA ~	D mm	E mm	F mm
B	8	14,5	25	30	42	54