

3000	<ul style="list-style-type: none"> <li>■ Customized probe length</li> <li>■ Custom probe materials</li> <li>■ Many termination/connector options</li> </ul>	<ul style="list-style-type: none"> <li>■ Heater control</li> <li>■ Aircraft bleed air Duct sensing</li> <li>■ Liquid bath control</li> <li>■ Hydraulic oil temperature control</li> </ul>
------	---	---

→ **Non-Hermetic Thermostats**

Series	Features	Applications
3001, 3004	<ul style="list-style-type: none"> <li>■ Low profile and lightweight (Model 3001)</li> <li>■ European approved (3004 only)</li> <li>■ Tight temperature tolerances and differentials available</li> </ul>	<ul style="list-style-type: none"> <li>■ Computers</li> <li>■ Office equipment</li> <li>■ Blood analyzers</li> </ul>

→ **High Amperage Thermostats 15 A**

Series	Features	Applications
3450, 3455R, 3455RBV	<ul style="list-style-type: none"> <li>■ Electrical rating to 15 A 120 Vac resistive</li> <li>■ UL recognized, CSA certified and European approved</li> <li>■ Single-pole, single-throw</li> <li>■ Environmental exposure for the 3450 &amp; 3455R -18 °C to 177 °C [0 °F to 350 °F]</li> <li>■ Environmental exposure for the 3455RBV -18 °C to 121 °C [0 °F to 250 °F]</li> </ul>	<ul style="list-style-type: none"> <li>■ Power supplies</li> <li>■ Communications equipment</li> <li>■ Medical equipment</li> <li>■ Computers (where high amperage loads are present)</li> </ul>
3450RC, 3455RC	<ul style="list-style-type: none"> <li>■ High temperature environmental exposure -18 °C to 288 °C [0 °F to 550 °F]</li> <li>■ Electrical rating to 15 A 120 Vac resistive</li> <li>■ UL recognized, CSA certified and European approved</li> <li>■ Single-pole, single-throw</li> </ul>	<ul style="list-style-type: none"> <li>■ Communications equipment</li> <li>■ Computers (where high amperage loads are present)</li> <li>■ Medical equipment</li> <li>■ Appliances</li> </ul>

→ **Manual Reset Thermostats**

Series	Features	Applications
3455RM, 3450CM	<ul style="list-style-type: none"> <li>■ Manually resettable operation (reset button)</li> <li>■ Electrical rating to 15 A 120 Vac resistive</li> <li>■ UL recognized and CSA certified</li> <li>■ Environmental exposure 10 °C to 177 °C [50 °F to 350 F]</li> </ul>	<ul style="list-style-type: none"> <li>■ Where automatic reset is not preferred</li> </ul>

**Commercial Thermostats**

→ **Phenolic Thermostats**

Series	Features	Applications
2450R, 2450HR, 2455R	<ul style="list-style-type: none"> <li>■ 15 A, 120 Vac; 10 A, 240 Vac</li> <li>■ UL recognized, CSA certified and European approved</li> <li>■ Contacts are available for mV and mA applications</li> <li>■ Environmental exposure 0 °C to 177 °C [32 °F to 350 °F]</li> </ul>	<ul style="list-style-type: none"> <li>■ Copy machines</li> <li>■ Medical equipment</li> <li>■ Power supplies</li> </ul>

→ **Ceramic Thermostats**

Series	Features	Applications
2450RC, 2450RCH, 2455RC	<ul style="list-style-type: none"> <li>▪ 15 A 120 Vac; 10 A 240 Vac</li> <li>▪ UL recognized, CSA certified and European approved</li> <li>▪ Contacts are available for mV and mA applications</li> <li>▪ Environmental Exposure 0 °C to 177 °C [32 °F to 350 °F]</li> </ul>	<ul style="list-style-type: none"> <li>▪ Office automation products</li> <li>▪ Table-top applications</li> <li>▪ Industrial equipment</li> <li>▪ Appliances</li> </ul>

→ **Manual Reset Thermostats**

Series	Features	Applications
2455RM, 2450CM	<ul style="list-style-type: none"> <li>▪ 15 A, 120 Vac; 10 A, 240 Vac</li> <li>▪ UL recognized, CSA certified and European approved</li> <li>▪ Environmental Exposure for 2455RM -18 °C to 121 °C [0 °F to 250 °F]</li> <li>▪ Environmental exposure for 3450CM 10 °C to 260 °C [50 °F to 500 °F]</li> </ul>	<ul style="list-style-type: none"> <li>▪ Office automation products</li> <li>▪ Medical equipment</li> </ul>

→ **Overmolded Automatic Reset Thermostats**

Series	Features	Applications
2455RBV	<ul style="list-style-type: none"> <li>▪ 15 A, 120 Vac; 8.3 A, 240 Vac</li> <li>▪ UL recognized, CSA certified and European approved</li> <li>▪ Environmental exposure -18 °C to 121 °C [0 °F to 250 °F]</li> </ul>	<ul style="list-style-type: none"> <li>▪ Industrial equipment</li> </ul>

→ **Heat Detection Thermostats**

Series	Features	Applications
2450A, 2455RA	<ul style="list-style-type: none"> <li>▪ UL recognized</li> <li>▪ Environmental exposure 0 °C to 150 °C [32 °F to 302 °F]</li> </ul>	<ul style="list-style-type: none"> <li>▪ Heat detection</li> </ul>

→ **One-shot Thermostats**

Series	Features	Applications
2450R, 2455R, 2450RC, 2455RC	<ul style="list-style-type: none"> <li>▪ 15 A, 120 Vac; 10 A, 240 Vac</li> <li>▪ UL recognized, CSA certified and European approved</li> <li>▪ Environmental exposure for 2450R &amp; 2455R 0 °C to 177 °C [32 °F to 350 °F]</li> <li>▪ Environmental exposure for 2450RC &amp; 2455RC 0 °C to 288 °C [32 °F to 550 °F]</li> </ul>	<ul style="list-style-type: none"> <li>▪ Automation equipment</li> <li>▪ Tabletop appliances</li> </ul>

## **'Permanent Stock' of Thermostats Type 2455R**

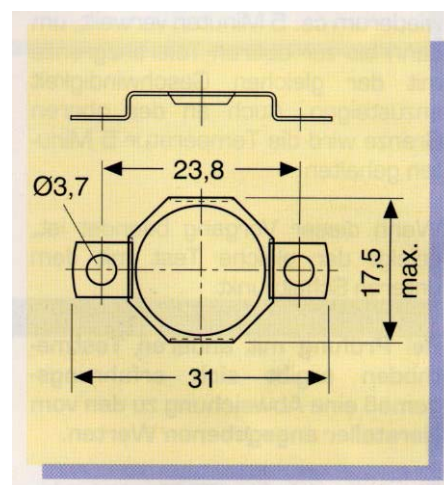
- **Functions: Open on Rising Temperature, and Close on Rising Temperature**
- **Standard Mounting Bracket: B 203 S**
- **Terminals: horizontal T 146**
- **Operating Temperatures in 10° C Steps.**
- **Up to 15A and up to 250V AC**
- **Silver contact system**

Part Number	Function		Function	
	Open °C	+/-K	Close °C	+/-K
2455R- 100-84	30	3	15	4
2455R- 100-72	40	3	25	6
2455R- 100-73	50	3	35	6
2455R- 100-85	60	3	45	6
2455R- 100-74	70	3	55	6
2455R- 100-75	80	3	65	6
2455R- 100-76	90	3	75	6
2455R- 100-77	100	4	80	7
2455R- 100-86	110	4	90	7
2455R- 100-98	120	4	98	6
2455R- 100-88	130	4	110	8
2455R- 100-89	140	4	115	8
2455RC- 9100-373	150	7	120	8

Part Number	Function		Function	
	Close °C	+/-K	Open °C	+/-K
2455R- 100-78	50	3	35	6
2455R- 100-79	60	3	45	6
2455R- 100-92	80	3	65	6
2455R- 100-93	90	3	75	6
2455R- 100-94	100	4	80	7
2455R- 100-95	120	4	100	7
2455R- 100-96	140	4	115	8

**Mounting Bracket B 203S**



**Terminals T 146**

