

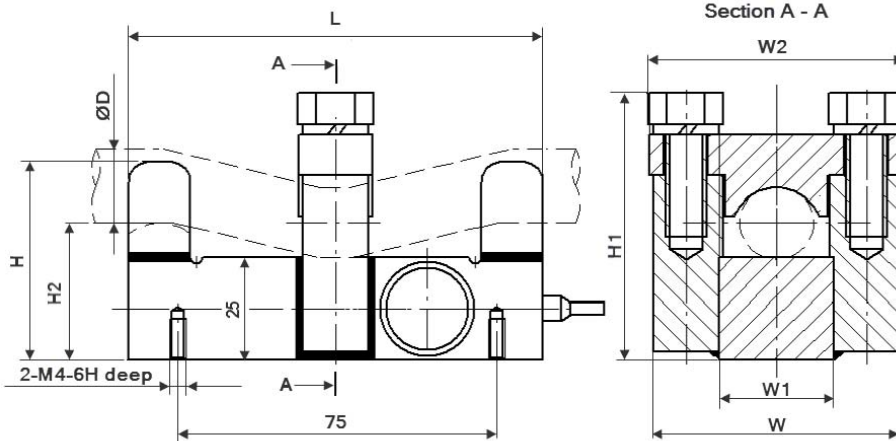
Capacity	Accuracy	Part-Number
0.5 t	G5	H9Z2-G5-0,5t-2T
1 t	G5	H9Z2-G5-1t-2T
1.5 t	G5	H9Z2-G5-1,5t-2T
2.5 t	G5	H9Z2-G5-2,5t-2T
5 t	G5	H9Z2-G5-5t-2T



Specification:

Capacities	t	0.5, 1, 1.5, 2.5, 5
Accuracy class		G5
Output sensitivity (= FS)	mV/V	0.8 ± 0.02
Combined Error	%FS	± 0.5
Temperature effect on zero	%FS/10°C	± 0.1
Temperature effect on sensitivity	%FS/10°C	± 0.05
Safe overload	of E _{max}	150 %
Ultimate overload	of E _{max}	200 %
Zero balance	of FS	< ± 2.0 %
Excitation, recommended voltage	VDC	5 ~ 12
Excitation maximum	VDC	18
Input resistance	Ω	370 ± 10
Output resistance	Ω	350 ± 3.5
Insulation resistance	MΩ	≥ 5000 (at 50VDC)
Temperature range, compensated	°C	-10 ~ +40
Temperature range, operating	°C	-35 ~ +65
Element material		Alloy steel
Ingress Protection (according to EN 60529)		IP67

Outline Dimensions in mm



Cap(t)	L	W	W1	W2	H	H1	H2	Ø D
0.5	95	50	20	52	40	52	33.3	8
1	95	50	20	52	40	54.8	33.3	11
1.5	95	52	22	54	43	58.4	32.8	13
2.5	95	52	22	54	43	60	32.8	15
5	101	58	28	60	48.5	66	33.5	18/20

Wiring:
4 conductors shielded cable,
length = 2 meters

