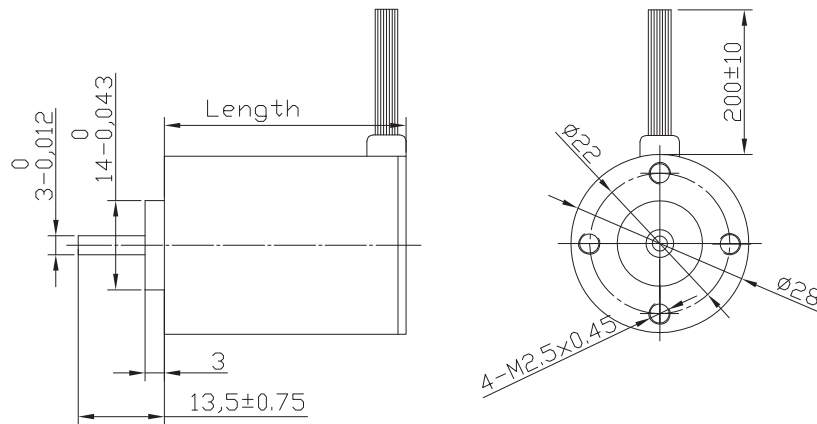


28BL Brushless Motor



Characteristics

HALL EFFECT ANGLE
120 ° ELECTRIC ANGLE

SHAFT RUN OUT
0,025 MM

INSULATION CLASS
B

RADIAL PLAY
0,02 MM 450G LOAD

AXIAL PLAY
0,08 MM 450G LOAD

MAX RADIAL FORCE
15 N (10 MM FROM FLANGE)

MAX AXIAL FORCE
10 N

DIELECTRIC STRENGTH
500 VDC FOR ONE MINUTE

MAX AXIAL FORCE
100 M OHM MIN. 500 VDC

Specification

Model		28BL26	28BL38	28BL77	
1	N° OF POLE	4	4	4	
2	N° OF PHASE	3	3	3	
3	RATED VOLTAGE	V	15	24	24
4	RATED SPEED	RPM	8000	3100	3100
5	RATED TORQUE	NM	0,007	0,016	0,05
6	MAX PEAK TORQUE	NM	0,021	0,048	0,15
7	TORQUE CONSTANT	NM/A	0,0137	0,024	0,05
8	LINE TO LINE RESISTANCE	Ω	7	20,5	4,67
9	LINE TO LINE INDUCTANCE	MH	2,5	7,4	2,2
10	MAX PEAK CURRENT	A	1,53	2	3
11	LENGTH	MM	26	38	77
12	ROTOR INERTIA	G-CM ²	1,23	2,12	5,98
13	WEIGHT	Kg	0,05	0,082	0,2

Connection

LEAD N°	COLOR	GAUGE	FUNCTION
1	YELLOW	UL1430 AWG26	VCC HALL SENSOR +5 TO +24 VDC
2	BLUE	UL1430 AWG26	HALL A
3	ORANGE	UL1430 AWG26	HALL B
4	BROWN	UL1430 AWG26	HALL C
5	WHITE	UL1430 AWG26	GND HALL SENSOR GROUND
6	GREEN	UL1430 AWG26	PHASE U
7	RED	UL1430 AWG26	PHASE V
8	BLACK	UL1430 AWG26	PHASE W