



FEATURES

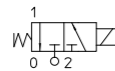
- ▶ Light and reliable
- ▶ Up to 15 bar
- ▶ Proven actuation system

TECHNICAL SPECIFICATION

- ▶ **Body material:** PPS
- ▶ **Armature tube (fig.1)** Stainless Steel AISI 300 serie
- ▶ **Armature tube (fig.2)** Brass - UNI EN 12165 CW617N
- ▶ **Plungers:** Stainless Steel AISI 400 serie
- ▶ **Spring:** Stainless Steel AISI 300 serie
- ▶ **Media:** air, water, inert gases, steam
- ▶ **Ambient temperature:** See coils catalogue page for its compatibility
- ▶ **Fluid temperature:** -10°C + 140°C with FKM seals
- ▶ **Design pressure PS:** 16 bar
- ▶ **Protection class:** IP 65 (complete with electric plug)
- ▶ **Electrical conformity:** IEC 335
- ▶ **Switching time:** 20-40 msec

AVAILABLE ON REQUEST

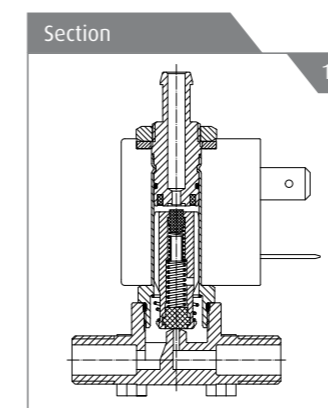
- ▶ NSF approved version



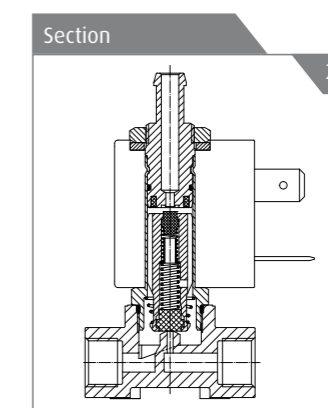
31JP	1	XP	V	12	L	B	A	05	024	C	S
Model valve	1= G 1/8	XP= N.C.	V= FKM B= NBR	12 23 Orefice 10 ⁻¹ mm	L 22 mm 5W	D EN 175301-803	A= Class F V= Class H	05= 5W 2X= 2,5W	024= 24V 110= 110V-120V 220= 220V	C= DC A= AC B= AC	S= Without Approval U= UL

PIPE	Ø (mm)	Kv (l/min)	MAX VISCOSITY cSt (°E)	PRESSURE min	PRESSURE MAX MOPD (bar)				GAS CODE	NPT CODE	DRAWING REFERENCE
					COIL TYPE						
					AC		DC				
G 1/8 male	1,2(*)	0,75	12(2)	0	15	-	-	31JPAXPV12-T0(**)	(Available on request)	1	
G 1/8 male	1,2(*)	0,75	12(2)	0	15	-	-	31JPAXRV12		1	
G 1/8 male	2,3(*)	2,1	37(5)	0	15	-	-	31JPAXPV23-T0(**)		1	
G 1/8 male	2,3(*)	2,1	37(5)	0	15	-	-	31JPAXRV23		1	
G 1/8 female	1,2(*)	0,75	12(2)	0	15	-	-	31JP1XPV12-T0(**)		2	
G 1/8 female	1,2(*)	0,75	12(2)	0	15	-	-	31JP1XRV12		2	
G 1/8 female	2,3(*)	2,1	37(5)	0	15	-	-	31JP1XPV23-T0(**)		2	
G 1/8	2,3(*)	2,1	37(5)	0	15	-	-	31JP1XRV23		2	

(*) 3rd way exhaust= Ø 1,7mm
(**) NSF Certified



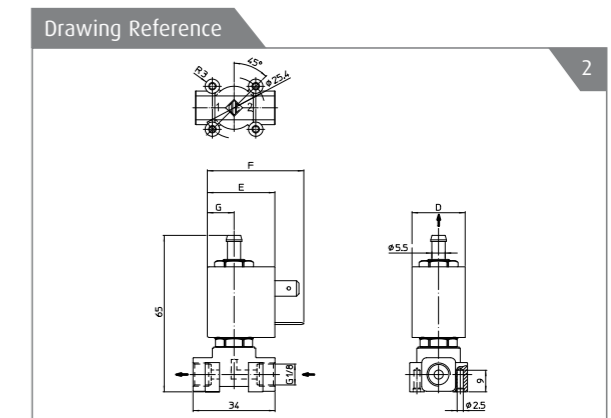
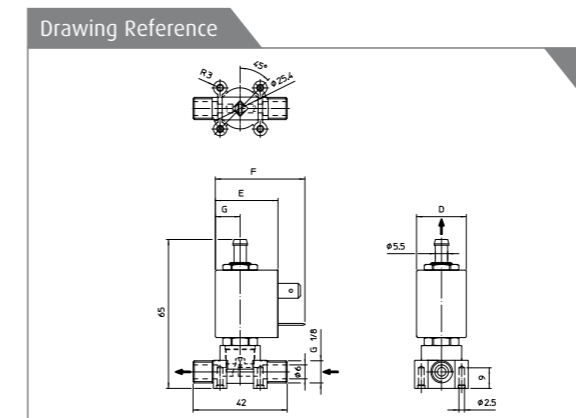
REPAIR KIT
For spare parts please consult our technical department
Coil P/N
RLBA
RLBV



REPAIR KIT
For spare parts please consult our technical department
Coil P/N
RLBA
RLBV

RELATED ITEMS
▶ P990307: Electrical plug EN 175301-803 Pg9

INSTALLATION
▶ The solenoid valves can be mounted in any position
▶ Holes and threaded connections for panel fixing
▶ Other port connections available on request
▶ Maintenance and instruction sheet available in each solenoid valve box



Dimensionale Table

Figure	Coil Type	D mm	E mm	F mm	G mm
1-2	L	22	27,5	39,5	11

Note
- Max torque for fittings and nut assembly 2Nm
- In case glue is used to seal the fittings, verify the compatibility with body material (PPS)
- For applications, with steam, please consult our Technical Service

