

Nominal data

Type	3312 NL	
Nominal voltage	VDC	12
Nominal voltage range	VDC	6 .. 15
Speed	min ⁻¹	1850
Power input	W	0.8
Min. ambient temperature	°C	-20
Max. ambient temperature	°C	75
Air flow	m ³ /h	56
Sound power level	B	4.1
Sound pressure level	dB(A)	24

ml = Max. load · me = Max. efficiency · fa = Running at free air · cs = Customer specs · cu = Customer unit
Subject to alterations

3312 NL

DC axial fan

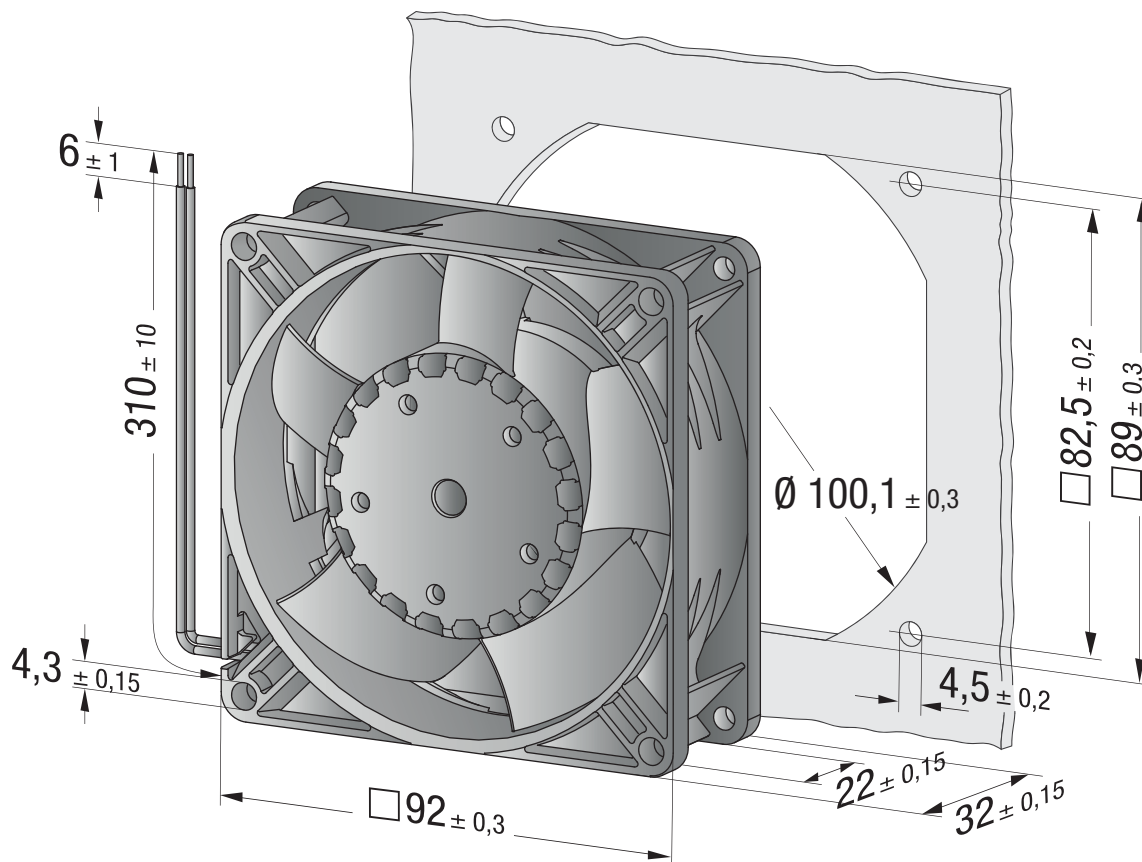
Technical features

Mass	0.19 kg
Dimensions	92 x 92 x 32 mm
Material of impeller	Fibreglass-reinforced plastic (PA)
Housing material	Fibreglass-reinforced plastic (PBT)
Direction of air flow	Air exhaust over bars
Direction of rotation	Clockwise, looking at rotor
Bearing	Ball bearing
Lifetime L10 at 40 °C	80.000 h
Lifetime L10 at maximum temperature	35.000 h
Connection line	With single strands AWG 24, UL 1061,

3312 NL

DC axial fan

Product drawing



Charts

