

## Nominal data

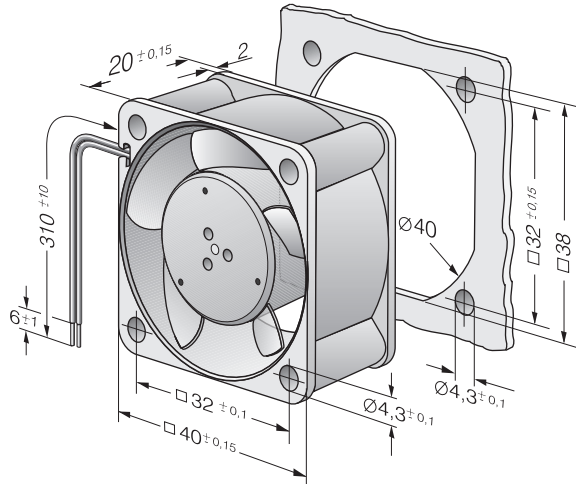
Type	414	
Nominal voltage	VDC	24
Nominal voltage range	VDC	20 .. 28
Speed	min <sup>-1</sup>	6000
Power input	W	1.0
Min. ambient temperature	°C	-20
Max. ambient temperature	°C	70
Air flow	m <sup>3</sup> /h	10
Sound power level	B	3.8
Sound pressure level	dB(A)	18

ml = Max. load · me = Max. efficiency · fa = Running at free air · cs = Customer specs · cu = Customer unit  
Subject to alterations

**Technical features**

<b>Mass</b>	0.027 kg
<b>Dimensions</b>	40 x 40 x 20 mm
<b>Material of impeller</b>	Fiberglass-reinforced PA plastic
<b>Housing material</b>	Fiberglass-reinforced PBT plastic
<b>Direction of air flow</b>	Air exhaust over bars
<b>Direction of rotation</b>	Left, looking at rotor
<b>Bearing</b>	Sintec sleeve bearing
<b>Lifetime L10 at 20 °C</b>	50000 h
<b>Lifetime L10 at 60 °C</b>	20000 h
<b>Connection line</b>	Single strands AWG 28, TR 64, bared and tin-plated.
<b>Motor protection</b>	Protected against reverse polarity and locking.
<b>Approval</b>	VDE, CSA, UL
<b>Option</b>	Special options: Speed signal Go / No-go alarm PWM control input Moisture protection

## Product drawing



## Charts: Air flow

