

Nominal data

| | | |
|--------------------------|-------------------|----------|
| Type | 4414 ML | |
| Nominal voltage | VDC | 24 |
| Nominal voltage range | VDC | 12 .. 28 |
| Speed | min ⁻¹ | 3000 |
| Power input | W | 3.2 |
| Min. ambient temperature | °C | -20 |
| Max. ambient temperature | °C | 80 |
| Air flow | m ³ /h | 168 |
| Sound power level | B | 5.1 |
| Sound pressure level | dB(A) | 40 |

ml = Max. load · me = Max. efficiency · fa = Running at free air · cs = Customer specs · cu = Customer unit
Subject to alterations

4414 ML

DC axial fan

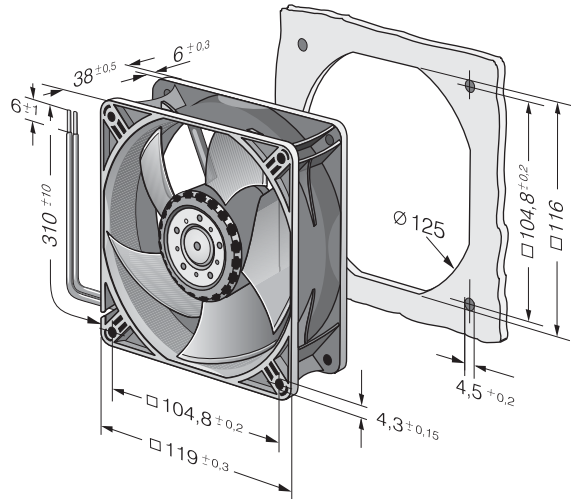
Technical features

| | |
|--|-------------------------------------|
| Housing material | Fibreglass-reinforced plastic (PBT) |
| Impeller material | Fibreglass-reinforced plastic (PA) |
| Mass | 0.270 kg |
| Dimensions | 119 x 119 x 38 mm |
| Direction of air flow | Air exhaust over bars |
| Direction of rotation | Clockwise, looking at rotor |
| Bearing | Ball bearing |
| Lifetime L10 at 40 °C | 67500 h |
| Lifetime L10 at maximum temperature | 22500 h |
| Connection line | With single strands AWG 24, TR 64 |

4414 ML

DC axial fan

Product drawing



Charts

