

# 52-02 rubber foot



## product description

Flintec supports aim to prevent unwanted forces from affecting load cell performance. The 52-02 is designed to deliver high accuracy weighing results when combined with the blind-hole load introduction available on our load cells.

The 52-02 rubber foot is self-aligning making ideal for industrial platform scales and a wide range of weighing tasks. The height is adjustable by shims. It is compatible with the SB4, SB5, SLB, SB9 and SB14 load cells. A special low-profile foot is also available.

## applications

Industrial platform scales, low capacity vessel weighing systems.

## accessories + options

Fixation plate

Low-profile foot is available

## key features

Self-aligning design

Blind-hole load introduction

Low profile

Height adjustable with shims

Easy to install

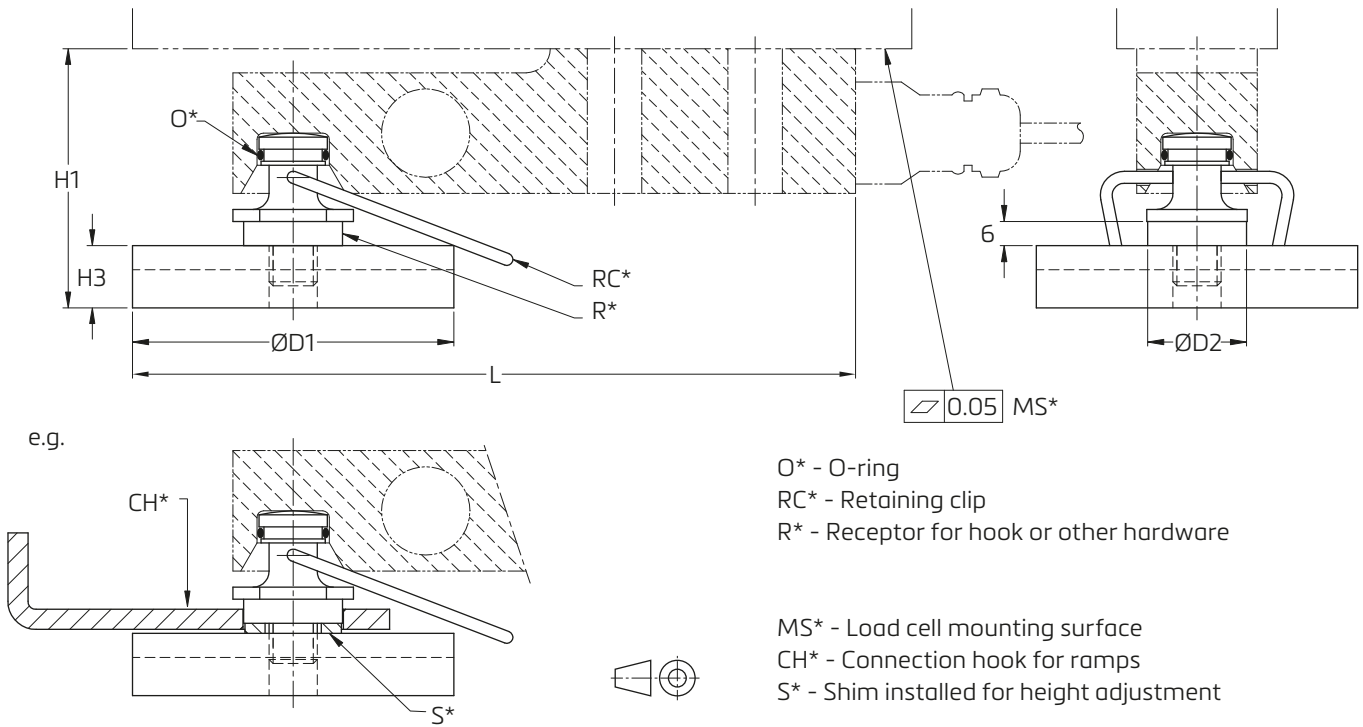
Zinc plated tool steel or stainless-steel construction options

Suitable for a wide range of load cell capacities from 100kg to 10,000kg

W&M certified



product dimensions (mm)



- O\* - O-ring
- RC\* - Retaining clip
- R\* - Receptor for hook or other hardware
- MS\* - Load cell mounting surface
- CH\* - Connection hook for ramps
- S\* - Shim installed for height adjustment

Load Cell Type	Capacity	D1	D2	L	H1	H2	H3
SLB / SB9	200...500 lb (91...227 kg) / 250 kg	60	24.5	154	61*	54*	16
	1...5 klb (454...2268 kg) / 500...2000 kg	80		164			
SB14	500 lb (227 kg)	60		154	60 / 62*	53 / 55*	
	1...5 klb (454...2268 kg)	80	164				
	10 klb (4536 kg)	100	34.5	209	85	68	18
SB4 / SB5	5...20 kN (510...2039 kg)	80	24.5	180	65	58	16
	50 kN ( 5099 kg)	100	34.5	219	90	73	18
	100 kN** (10179 kg)	125		278	109	n.a.	26

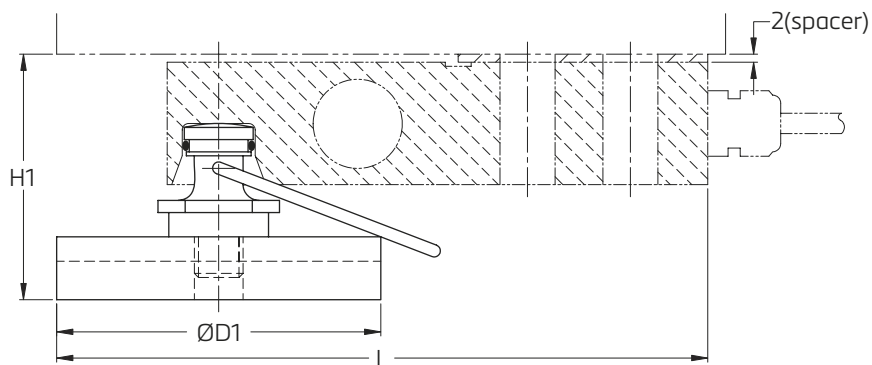
\* Including spacer.

\*\* A special retaining clip is available.

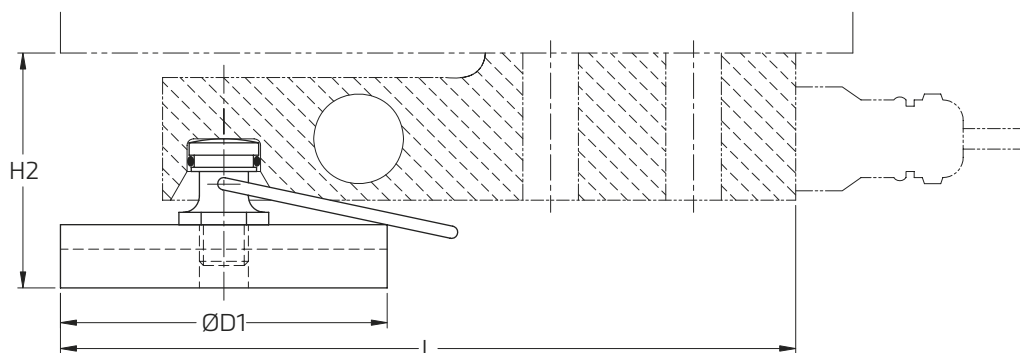
CAD files for customer's own application drawings are available for download from the Flintec homepage.

## product dimensions cont.

Details of SLB load cell



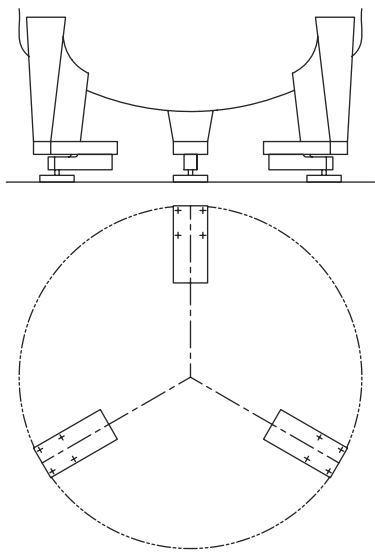
Low profile foot



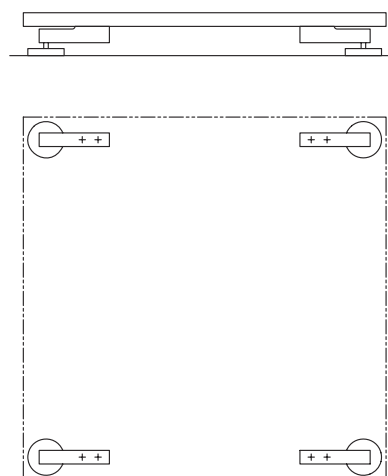
\*The low-profile foot has no receptor for hook or other hardware

## example setups

Tank weighing system with 3 load cells  
(recommended base plate 52-00 included)



Platform scale with 4 load cells



Specifications and dimensions are subject to change without notice.