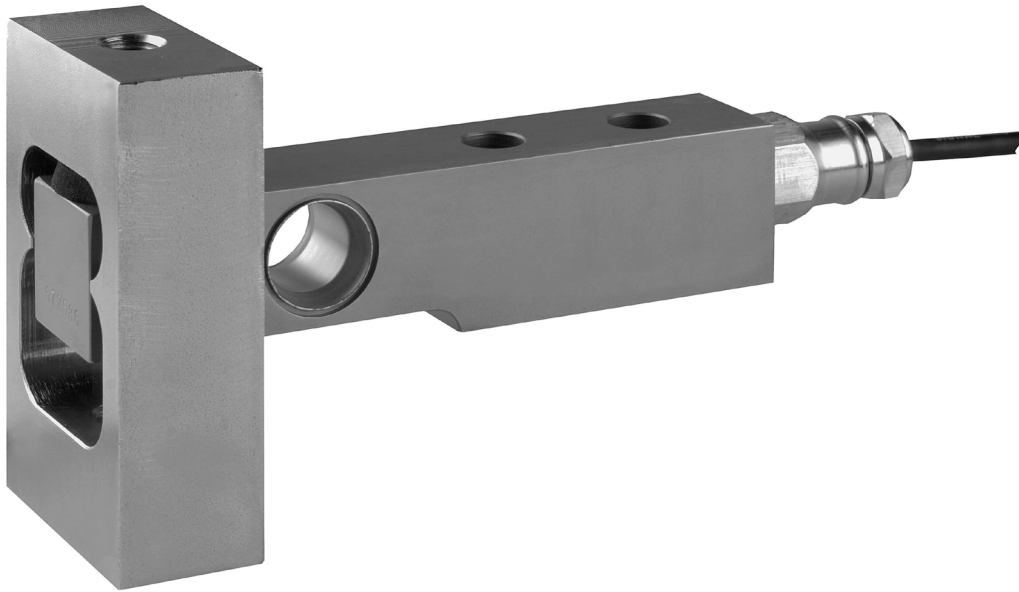


52-31 tension adapter

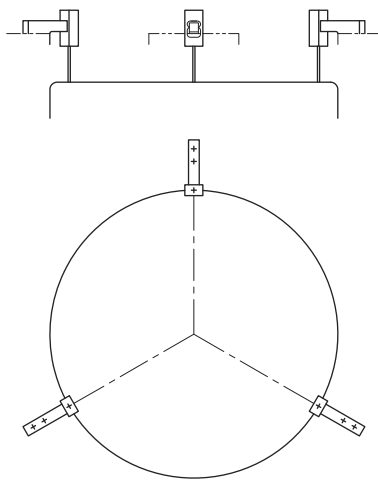


product description

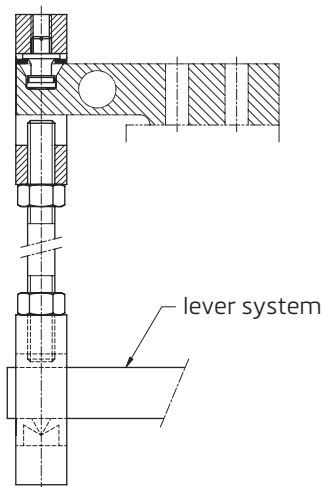
Designed especially for mounting to load cells in suspended tanks and vessel weighing systems. The 52-31 tension adapter provides a self-aligning and accurate method which is both economic and yet very robust. Designed for a wide range of Flintec load cells including the SB4, SB5, SB6, SLB, SB9 and SB14 load cells.

examples

Tank weighing system with 3 load cells



Hybrid scale conversion



key features

Zinc plated steel

Available in capacities to suit 20kg through to 10t load cells

Blind-hole load introduction

Very easy to install

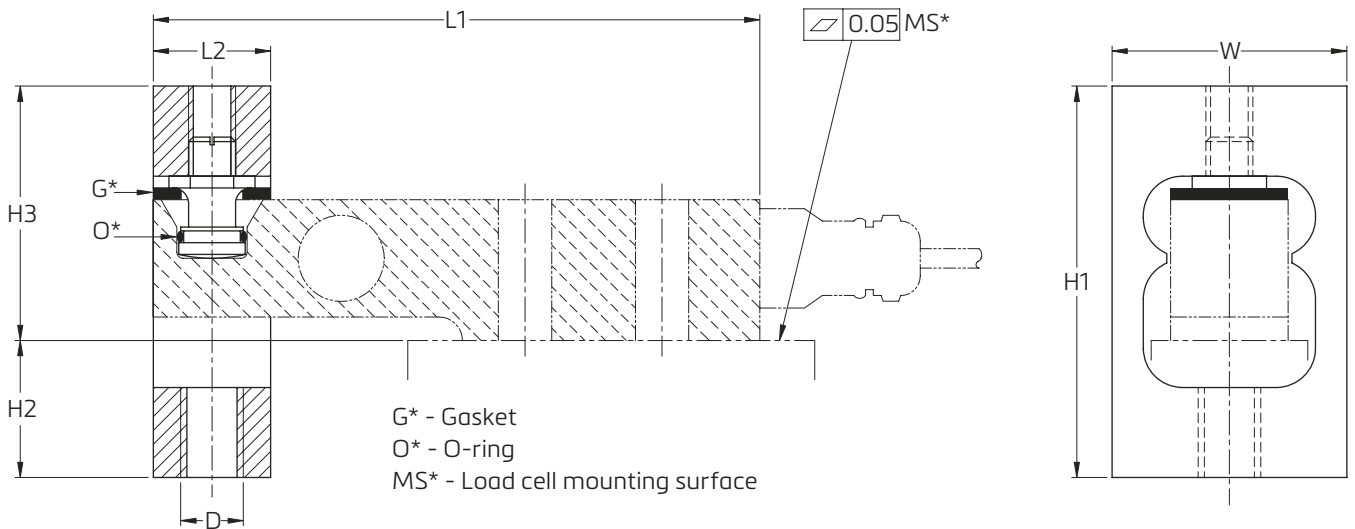
W&M certified

applications

Suspended tanks and vessel weighing systems.



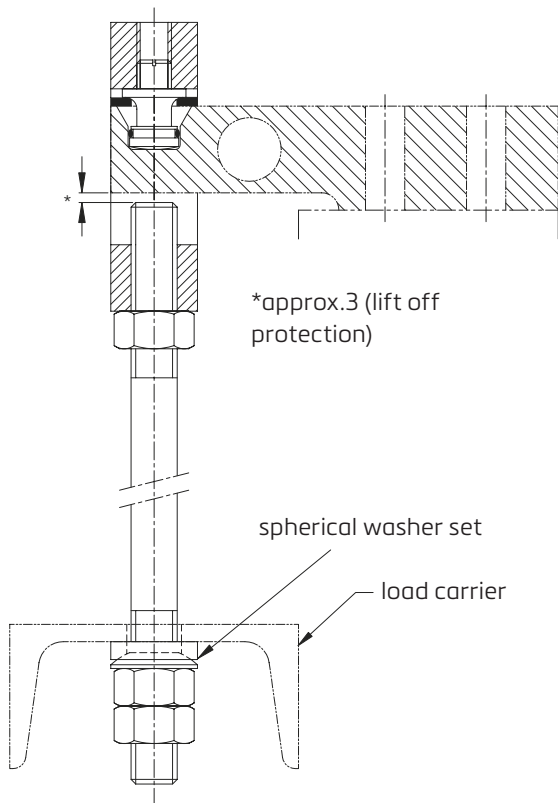
product dimensions (mm)



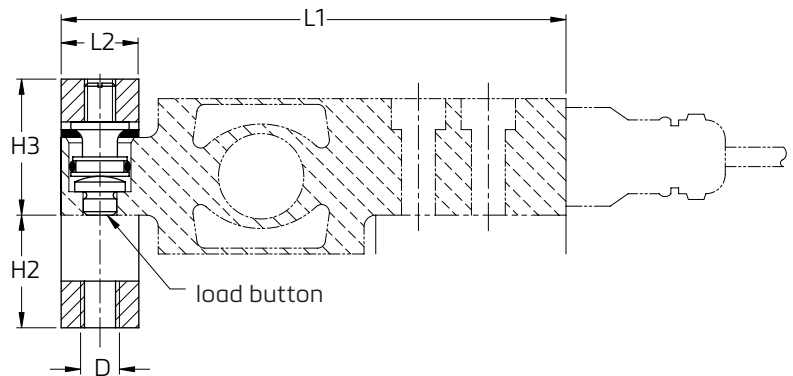
| Load Cell Type | Capacity | L1 | L2 | H1 | H2 | H3 | W | Tension rod D |
|----------------|--|-----|----|-----|----|-----|-----|---------------|
| SB4 / SB5 | 5...20 kN (510...2039 kg) | 155 | 30 | 115 | 45 | 70 | 60 | M16 |
| | 50 kN (5099 kg) | 190 | 40 | 165 | 70 | 95 | 80 | M24 |
| | 100 kN (10197 kg) | 245 | 50 | 230 | 95 | 135 | 100 | M30 |
| SB6 | 0.2...2 kN (20.4...204 kg) | 130 | 20 | 64 | 29 | 35 | 50 | M10 |
| SB14 | 0.5...5 klb (227...2268 kg) | 139 | 30 | 115 | 50 | 65 | 60 | M16 |
| SLB / SB9 | 0.2...5 klb (91...2268 kg) / 250...2000 kg | 139 | 30 | 115 | 51 | 64 | 60 | M16 |

CAD files for customer's own application drawings are available for download from the Flintec homepage.

details of connection to a load carrier



details of SB6 load cell (mm)



Specifications and dimensions are subject to change without notice.