

Nominal data

Type	6318N/2 H3P	
Nominal voltage	VDC	48
Nominal voltage range	VDC	36 .. 72
Speed	min ⁻¹	5000
Power input	W	53
Min. ambient temperature	°C	-20
Max. ambient temperature	°C	70
Air flow	m ³ /h	685
Sound power level	B	7.5

ml = Max. load · me = Max. efficiency · fa = Running at free air · cs = Customer specs · cu = Customer unit
Subject to alterations

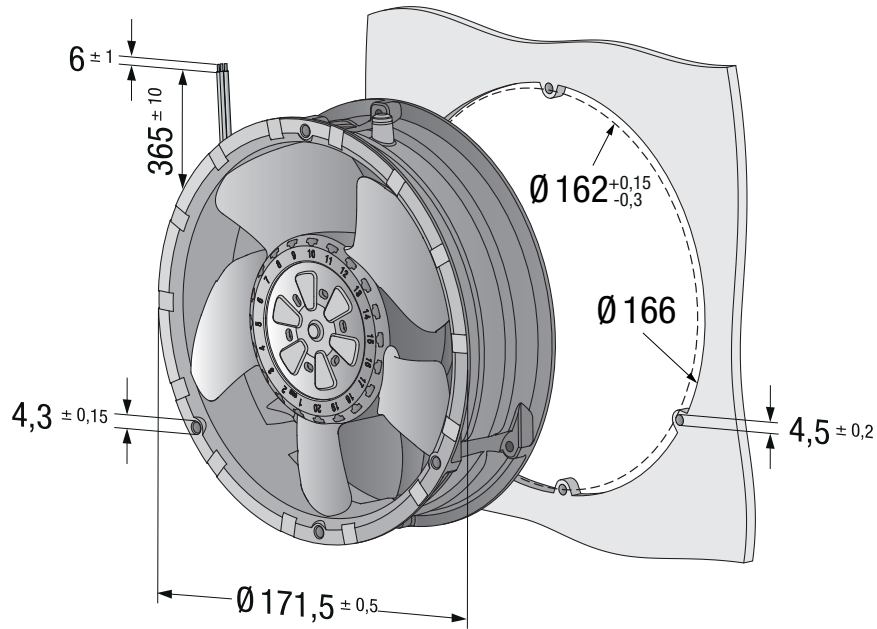
Technical features

General description	1-phase fan drive, very smooth running and highly efficient Housing with grounding lug for M4x8 screw (Torx)
Mass	0.85 kg
Dimensions	172 Ø x 51 mm
Material of impeller	Fibreglass-reinforced plastic (PA)
Housing material	Die-cast aluminium
Direction of air flow	Exhaust over struts
Direction of rotation	Counter-clockwise, looking at rotor
Bearing	Ball bearings
Lifetime L10 at 40 °C	77.500 h
Lifetime L10 at maximum temperature	40.000 h
Connection line	AWG 22, UL 1007, TR 64; Tacho and alarm signal: AWG 24, UL 1007, TR 64
Approval	VDE, CSA, UL

6318N/2 H3P

DC axial fan

Product drawing



Charts

