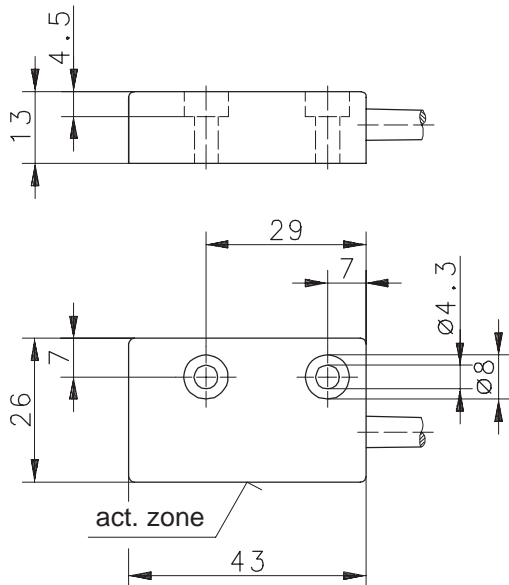
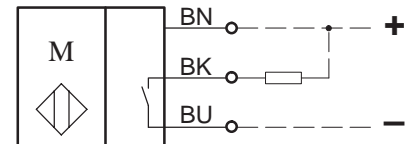


Type: **MEK-52ON2-00.4-2/KL**Art.-No.: **637.3652.074**

02.09.99/2184

**Wiring Diagram:****1. Operating Data**

operational voltage range  $U_B$  : DC 10 ... 30 V; supply reversal protection  
 non-load supply current : < 10 mA

**2. Output Data / Transistor**

electrical output : 3 – wire, NPN  
 rated operational current : 400 mA, short circuit protection  
 voltage drop  $U_d$  : < 3 V  
 output function : NPN, N.O.; actuated by north- and southpole

**3. Operating and Ambient Conditions**

temperature range : -20 °C up to +70 °C  
 protection : IP 67 to IEC 529, EN 60529 (NEMA 4)  
 housing : PA12, black  
 connection : Cable 3 x 0,14 mm<sup>2</sup> x 2 m; PUR – Outer jacket, black  
 indication : LED red, output indication / switched position