



Identification	Type	LCON AASP D 806210
	Part-No.	750321

Input

	0/10 V	0–20 mA	4–20 mA
Measurement input	0–10 V, 0–20 mA, 4–20 mA, adjustable via switch	0–10 V, 0–20 mA, 4–20 mA, adjustable via switch	0–10 V, 0–20 mA, 4–20 mA, adjustable via switch
Galvanic insulation I/O	4-way isolation	4-way isolation	4-way isolation
Transmission frequency	30 Hz (filter off), 5 Hz (filter on)	30 Hz (filter off), 5 Hz (filter on)	30 Hz (filter off), 5 Hz (filter on)
Input characteristic impedance	500 kΩ	100 Ω	100 mΩ
Zero /Span			
Measurement input	0–10 V, 0–20 mA, 4–20 mA, adjustable via switch		
Galvanic insulation I/O	4-way isolation		
Transmission frequency	30 Hz (filter off), 5 Hz (filter on)		

Load Side

02.04.2016 – Subject to technical modification

Part-No. 750321

USA: LUTZE INC.

13330 South Ridge Drive • Charlotte, NC 28273, USA
 Tel. +1 (704) 504-0222 • Fax +1 (704) 504-0223
 www.lutze.com • info@lutze.com

United Kingdom: LUTZE Ltd.

Unit 3, Sandy Hill Park
 Sandy Way, Amington • GB-Tamworth, Staffs B77 4DU
 Tel. +44 (0)1827 31333-0 • Fax +44 (0)1827 31333-2
 www.lutze.com • sales.gb@lutze.co.uk



SYSTEMATIC TECHNOLOGY

Technical data sheet • Interface Technology

	0-10 V	0-20 mA	4-20 mA
Output signal			
Max. load impedance at I-output	-	400 Ω	400 Ω
Max. load impedance at U-output	>2 kΩ	-	-
Limitation for exceeding measurement range	yes, switchable	yes, switchable	yes, switchable
max. modulation range/output current	10.5 V	21 mA	21 mA
Ripple	< 20 mV _{eff}	< 20 mV _{eff}	< 20 mV _{eff}
Ripple	< 20 mV _{eff}		

General

	+30/-30V	+50/-50mA	+5A/-5A
Nominal voltage	DC 24 V	DC 24 V	DC 24 V
Operation voltage range	16.8-30 V	16.8-30 V	16.8-30 V
Rated current	approx. 13 mA	approx. 13 mA	approx. 13 mA
Status Indication	LED green	LED green	LED green
Input/output protection	Overvoltage DC 30 V, Output short circuit-proof	Overvoltage DC 30 V, Output short circuit-proof	Overvoltage DC 30 V, Output short circuit-proof
Accuracy	0.1 % FSR	0.1 % FSR	0.5 % FSR
Linearity error	± 0.05 % FSR	0.1 % FSR	± 0.1 % FSR
Termination	Screw-/spring terminal: 0.14-1.5 mm ²	Screw-/spring terminal: 0.14-1.5 mm ²	Screw-/spring terminal: 0.14-1.5 mm ²

Nominal voltage	DC 24 V
Operation voltage range	16.8-30 V
Rated current	13.0 mA
Status Indication	LED green
Input/output protection	Overvoltage DC 30 V, Output short circuit-proof
Accuracy	0.1 % FSR
Linearity error	± 0.1 % FSR
Temperature error	<150 ppm FSR
Insulation voltage input/output	2.5 kV _{eff}
Housing material	PA 6.6 (UL 94 V-0)
Field installation	rail TS 35 (EN 50022)
Protection class	IP 20
Installation position	Optional
Termination	screw terminal: 0.14-1.5 mm ²

02.04.2016 – Subject to technical modification

Part-No. 750321

USA: LUTZE INC.

13330 South Ridge Drive • Charlotte, NC 28273, USA
Tel. +1 (704) 504-0222 • Fax +1 (704) 504-0223
www.lutze.com • info@lutze.com

United Kingdom: LUTZE Ltd.

Unit 3, Sandy Hill Park
Sandy Way, Amington • GB-Tamworth, Staffs B77 4DU
Tel. +44 (0)1827 31333-0 • Fax +44 (0)1827 31333-2
www.lutze.com • sales.gb@lutze.co.uk

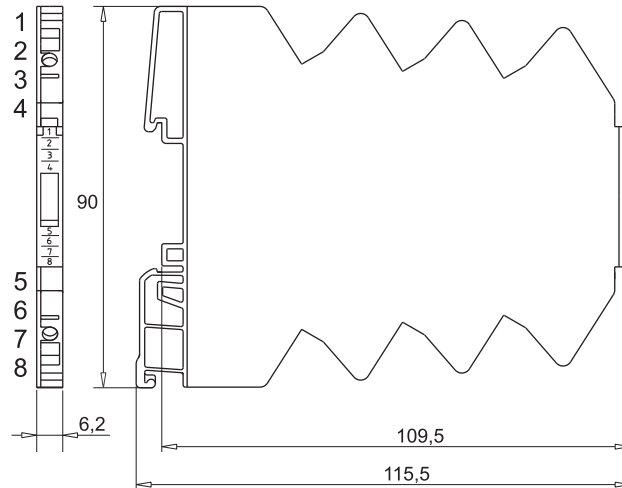


SYSTEMATIC TECHNOLOGY

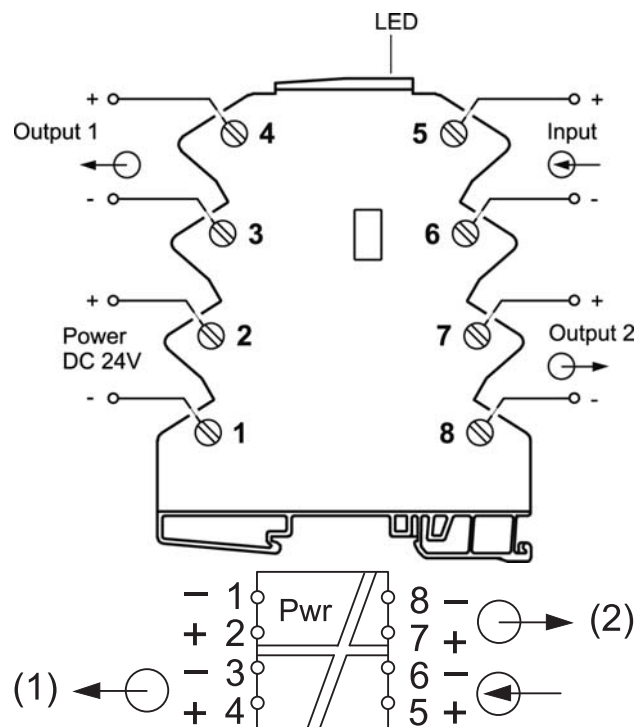
Technical data sheet • Interface Technology

Operation temperature range	-40 °C – 70 °C
Storage temperature range	-40 °C – 85 °C
Dimensions (w × h × d)	6.2 × 90.0 × 115.5 mm
Weight (kg/piece)	0.600 kg/piece

Dimensions



PIN assignment



02.04.2016 – Subject to technical modification

Part-No. 750321

USA: LUTZE INC.

13330 South Ridge Drive • Charlotte, NC 28273, USA

Tel. +1 (704) 504-0222 • Fax +1 (704) 504-0223

www.lutze.com • info@lutze.com

United Kingdom: LUTZE Ltd.

Unit 3, Sandy Hill Park

Sandy Way, Amington • GB-Tamworth, Staffs B77 4DU

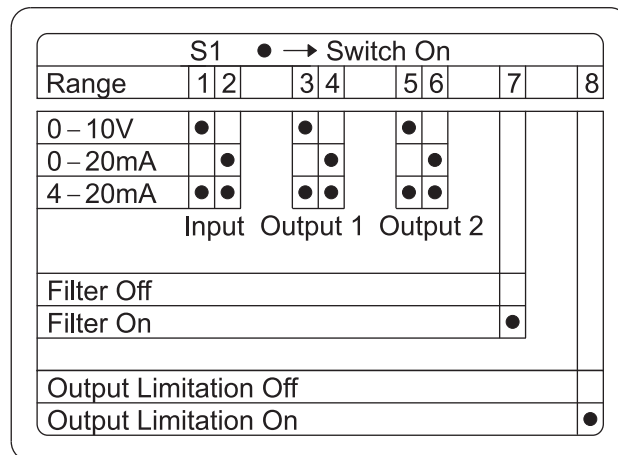
Tel. +44 (0)1827 31333-0 • Fax +44 (0)1827 31333-2

www.lutze.com • sales.gb@lutze.co.uk



SYSTEMATIC TECHNOLOGY

Range adjustment



See instruction leaflet for details

Accessories

Accessories	Color	2-pole	3-pole	4-pole	8-pole	16-pole	PU
6 A jumper comb	red	762802	762805	762812	762822	762832	10
6 A jumper comb	white	762803	762806	762813	762823	762833	10
6 A jumper comb	blue	762804	762807	762814	762824	762834	10

02.04.2016 – Subject to technical modification

Part-No. 750321

USA: LUTZE INC.

13330 South Ridge Drive • Charlotte, NC 28273, USA

Tel. +1 (704) 504-0222 • Fax +1 (704) 504-0223

www.lutze.com • info@lutze.com

United Kingdom: LUTZE Ltd.

Unit 3, Sandy Hill Park

Sandy Way, Amington • GB-Tamworth, Staffs B77 4DU

Tel. +44 (0)1827 31333-0 • Fax +44 (0)1827 31333-2

www.lutze.com • sales.gb@lutze.co.uk



SYSTEMATIC TECHNOLOGY