



Identification	Type	WAA 7-0540
	Part-No.	750540

Input

	750540/751540	750541/751541	750542/751542
Input signal	AC/DC 0 – 1 A, ± 1 A	AC/DC 0 – 5 A, ± 5 A	AC/DC 0 – 10 A, + 10 A
Input characteristic impedance	typ. 0.06 Ω	typ. 0.02 Ω	typ. 0,01 Ω
Input signal	AC/DC 0 – 1 A, ± 1 A		
Galvanic insulation I/O	3-way isolation		
Zero /Span	Production comparison		
Line frequency	15 Hz – 400 Hz		
Input characteristic impedance	typ. 0.06 Ω		

Load Side

	0/10 V	0–20 mA	4–20 mA
Max. load impedance at I-output	–	400 Ω	400 Ω
Max. load impedance at U-output	>1 kΩ	–	–
Load impedance	55 Ω	–	–
Output current	max. 21 mA	–	–
Output signal	Adjustable via switch		
Max. load impedance at I-output	400 Ω		

26.11.2015 – Subject to technical modification

Part-No. 750540

USA: LUTZE INC.

13330 South Ridge Drive • Charlotte, NC 28273, USA
 Tel. +1 (704) 504-0222 • Fax +1 (704) 504-0223
 www.lutze.com • info@lutze.com

United Kingdom: LUTZE Ltd.

Unit 3, Sandy Hill Park
 Sandy Way, Amington • GB-Tamworth, Staffs B77 4DU
 Tel. +44 (0)1827 31333-0 • Fax +44 (0)1827 31333-2
 www.lutze.com • sales.gb@lutze.co.uk



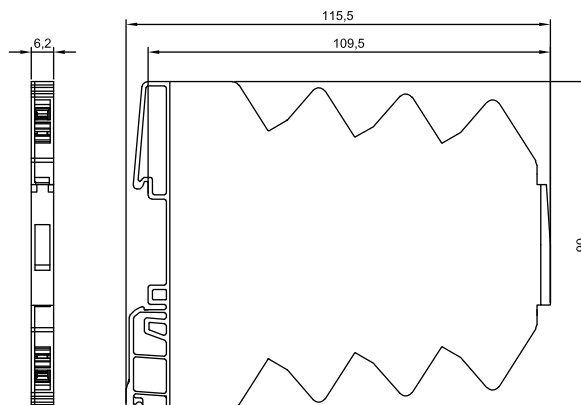
Technical data sheet • Interface Technology

Ripple typ. <5 mV_{eff}

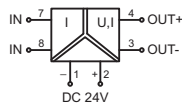
General

Nominal voltage	DC 24 V
Operation voltage range	DC: 16.8–30 V
Rated current	13.0 mA
Status Indication	LED yellow
Accuracy	0.5 % FSR (23 °C)
Linearity error	0.10 %, FSR (23°C)
Build-up time (Accuracy 1%)	150 ms
Temperature coefficient	<150 ppm / K FSR
Insulation voltage input/output	2.5 kV _{eff}
Housing material	PA 6.6 (UL 94 V-0)
Field installation	rail TS 35 (EN 50022)
Protection class	IP 20
Installation position	Optional
Termination	Screw terminal: 0.14–1.5 mm ²
Operation temperature range	-25 °C – 60 °C
Storage temperature range	-40 °C – 85 °C
Dimensions (w × h × d)	6.2 × 90.0 × 115.5 mm
Weight (kg/piece)	0.055 kg/piece
Approvals	cULus, Class I, Div. 2, Groups A, B, C, D T4A

Dimensions



PIN assignment



26.11.2015 – Subject to technical modification

Part-No. 750540

USA: LUTZE INC.

13330 South Ridge Drive • Charlotte, NC 28273, USA

Tel. +1 (704) 504-0222 • Fax +1 (704) 504-0223

www.lutze.com • info@lutze.com

United Kingdom: LUTZE Ltd.

Unit 3, Sandy Hill Park

Sandy Way, Amington • GB-Tamworth, Staffs B77 4DU

Tel. +44 (0)1827 31333-0 • Fax +44 (0)1827 31333-2

www.lutze.com • sales.gb@lutze.co.uk



SYSTEMATIC TECHNOLOGY

Technical data sheet • Interface Technology

Range adjustment

● → Switch On		S1			
Input	Output	1	2	3	4
0-1A	0-10V				
0-1A	0-20mA	●			
0-1A	4-20mA	●			

Accessories

Accessories	Color	Article number	Type	PU
Tag holder 4×11 mm	white	681313	BZT-0411	100
Isolation plate		760809	TP 7-0809	5

Accessories

Accessories	Color	2-pole	3-pole	4-pole	8-pole	16-pole	PU
6 A jumper comb	red	762802	762805	762812	762822	762832	10
6 A jumper comb	white	762803	762806	762813	762823	762833	10
6 A jumper comb	blue	762804	762807	762814	762824	762834	10

26.11.2015 – Subject to technical modification

Part-No. 750540

USA: LUTZE INC.

13330 South Ridge Drive • Charlotte, NC 28273, USA

Tel. +1 (704) 504-0222 • Fax +1 (704) 504-0223

www.lutze.com • info@lutze.com

United Kingdom: LUTZE Ltd.

Unit 3, Sandy Hill Park

Sandy Way, Amington • GB-Tamworth, Staffs B77 4DU

Tel. +44 (0)1827 31333-0 • Fax +44 (0)1827 31333-2

www.lutze.com • sales.gb@lutze.co.uk



SYSTEMATIC TECHNOLOGY