



Identification	Type	WAA 7-0901
	Part-No.	750901
Input		
Input signal	0–60 mV	
Galvanic insulation I/O	3-way isolation	
Zero /Span	Production comparison	
Transmission frequency	30 Hz at 3 dB	
Input characteristic impedance	330 kΩ	
Load Side		
Output signal	0 – 10 V	
Max. load impedance at U-output	>1 kΩ	
Load impedance	55 Ω	
Output current	max. 21 mA	
Ripple	<5 mV _{eff}	
General		
Nominal voltage	AC/DC 24 V	
Operation voltage range	DC: 16.8–30 V; AC: 19.2–28.8 V	
Rated current	13.0 mA	
Status Indication	LED yellow	
Input/output protection	Overvoltage AC/DC 30 V, PTC fuse, Output short circuit-proof	

02.04.2016 – Subject to technical modification

Part-No. 750901

USA: LUTZE INC.

13330 South Ridge Drive • Charlotte, NC 28273, USA
 Tel. +1 (704) 504-0222 • Fax +1 (704) 504-0223
 www.lutze.com • info@lutze.com

United Kingdom: LUTZE Ltd.

Unit 3, Sandy Hill Park
 Sandy Way, Amington • GB-Tamworth, Staffs B77 4DU
 Tel. +44 (0)1827 31333-0 • Fax +44 (0)1827 31333-2
 www.lutze.com • sales.gb@lutze.co.uk

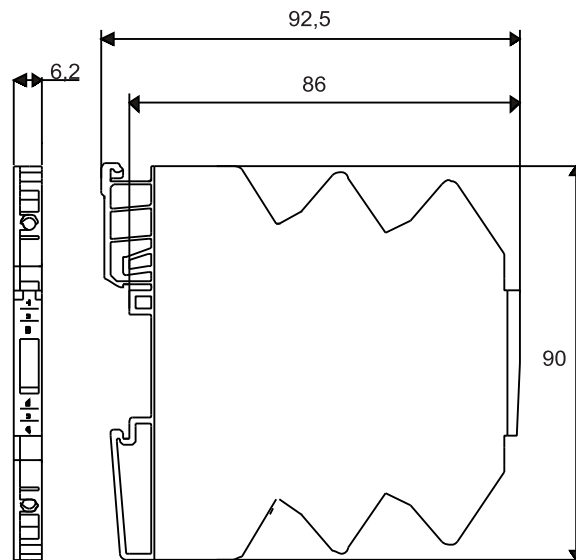


SYSTEMATIC TECHNOLOGY

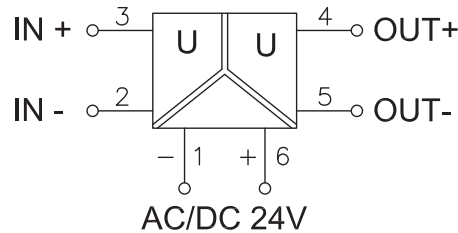
Technical data sheet • Interface Technology

Accuracy	0.1 % FSR (23 °C)
Linearity error	0,1 % FSR
Rise time (10 - 90%)	10 ms
Build-up time (Accuracy 1%)	30 ms
Transmission frequency	<30 Hz
Temperature coefficient	<150 ppm / K FSR
Insulation voltage input/output	1.5 kV _{eff}
Housing material	PA 6.6 (UL 94 V-0)
Field installation	rail TS 35 (EN 50022)
Protection class	IP 20
Installation postition	Optional
Termination	Screw terminal: 0.14–1.5 mm ²
Operation temperature range	-25 °C – 60 °C
Storage temperature range	-40 °C – 85 °C
Dimensions (w × h × d)	6.2 × 90.0 × 92.5 mm
Weight (kg/piece)	0.040 kg/piece

Dimensions



PIN assignment



02.04.2016 – Subject to technical modification

Part-No. 750901

USA: LUTZE INC.

13330 South Ridge Drive • Charlotte, NC 28273, USA

Tel. +1 (704) 504-0222 • Fax +1 (704) 504-0223

www.lutze.com • info@lutze.com

United Kingdom: LUTZE Ltd.

Unit 3, Sandy Hill Park

Sandy Way, Amington • GB-Tamworth, Staffs B77 4DU

Tel. +44 (0)1827 31333-0 • Fax +44 (0)1827 31333-2

www.lutze.com • sales.gb@lutze.co.uk



SYSTEMATIC TECHNOLOGY

Technical data sheet • Interface Technology

Accessories

Accessories	Color	Article number	Type	PU
Tag holder 4×11 mm	white	681313	BZT 0411	100
Isolation plate		760809	TP 7-0809	5

Accessories

Accessories	Color	2-pole	3-pole	4-pole	8-pole	16-pole	PU
6 A jumper comb	red	762802	762805	762812	762822	762832	10
6 A jumper comb	white	762803	762806	762813	762823	762833	10
6 A jumper comb	blue	762804	762807	762814	762824	762834	10

02.04.2016 – Subject to technical modification

Part-No. 750901

USA: LUTZE INC.

13330 South Ridge Drive • Charlotte, NC 28273, USA

Tel. +1 (704) 504-0222 • Fax +1 (704) 504-0223

www.lutze.com • info@lutze.com

United Kingdom: LUTZE Ltd.

Unit 3, Sandy Hill Park

Sandy Way, Amington • GB-Tamworth, Staffs B77 4DU

Tel. +44 (0)1827 31333-0 • Fax +44 (0)1827 31333-2

www.lutze.com • sales.gb@lutze.co.uk



SYSTEMATIC TECHNOLOGY