

Starting/running torque 106 mN.m 7.2 Watts Part number 825400



- Constant speed, dependent on supply frequency
- Direction of rotation controlled by dephasing capacitor
- Sintered bearing lubricated for life
- Silent operation
- UL, CSA (class B) - VDE approved.

Part numbers

	Type	Type	Voltages/Frequencies
825400	7.2 Watts	82 540 0	230-240 V 50 Hz

Specifications

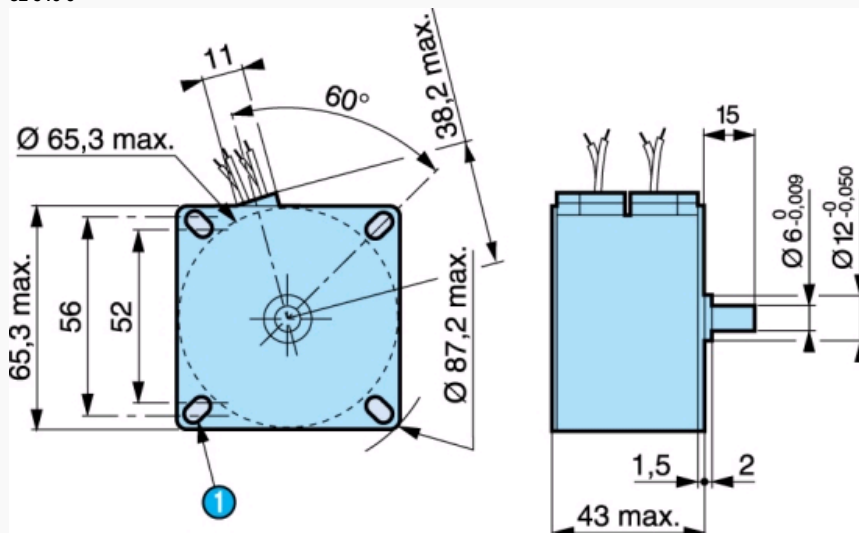
Base speed of motor (rpm)	250
Absorbed power (W)	7.2
Usable Power (W)	2,65
Starting/running torque (mNm)	106
Stall torque (mNm)	118
Temperature rise (°C)	60
Ambient temperature (°C)	-10 +70
Maximum inertial load that can be moved (g.cm ²)	180
Number of offload starts	
Insulation resistance (MΩ)	75x10 ³
Breakdown voltage (V-50 Hz)	1800 -1 sec.
Weight (g)	540
Wires length (mm)	250
Protection rating	IP40

Accessories

Voltages/Frequencies	μF	V AC	Code
Capacitors motor 82 540 0	Condensateur		
230-240 V 50 Hz	0,22 ± 5 %	480	26 231 909
115 V - 60 Hz	0,56 ± 5 %	240	26 231 822
24 V - 50 Hz	22 ± 10 %	63	26 231 703
24 V - 60 Hz	15 ± 5 %	63	26 231 728

Dimensions (mm)

82 540 0

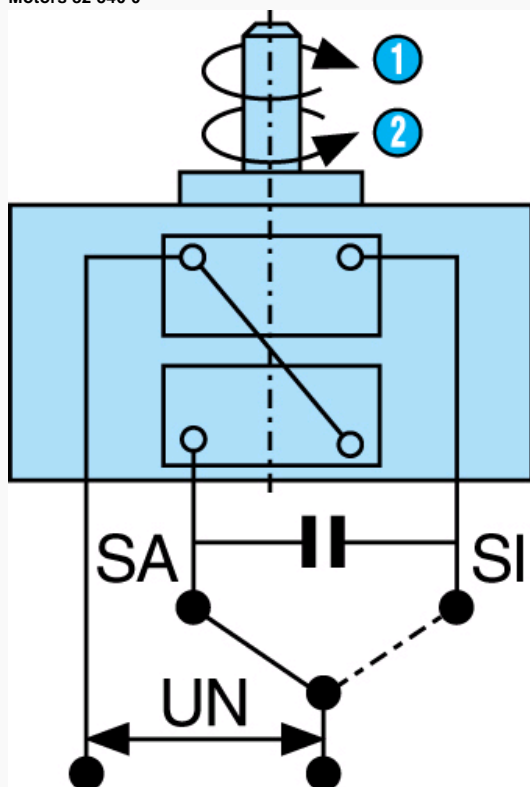


N°	Legend
①	4 oblong fixing holes 4.2 mm wide

Connections

In parallel

Motors 82 540 0



N°	Legend
①	SA : Clockwise
②	SI : Anti-clockwise

Product adaptations



- Different voltages available
- Pinion on output shaft
- Special output shafts
- Special supply voltages
- Special cable lengths
- Special output bearings
- Special mounting plate
- Special connectors