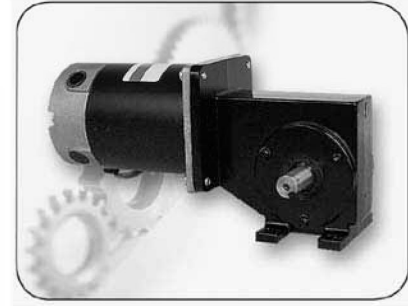
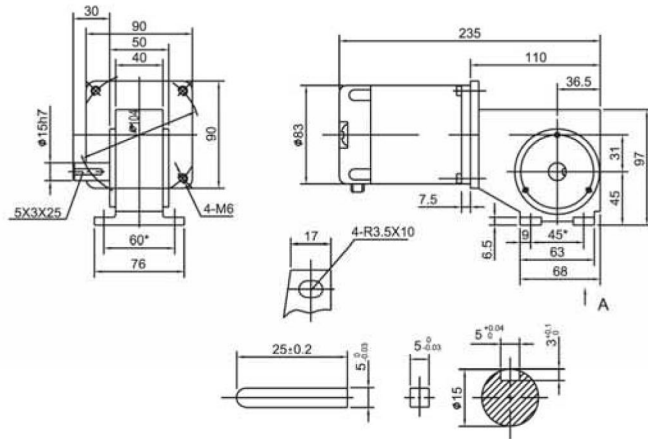


PM DC WORM GEARMOTOR

90JWG200K/83125

◆ Dimensions



◆ Motor Technical Data

| TYPE | Rated voltage VDC | No-load speed r/min | No-load current A | Rated speed r/min | Rated torque kg.cm | Output power W | Rated current A | Stall torque kg.cm | Stall current A |
|------------|----------------------|------------------------|----------------------|----------------------|-----------------------|-------------------|--------------------|-----------------------|--------------------|
| 83125-2420 | 24 | 2000 | 0.80 | 1700 | 2.4 | 42 | 3.5 | 16 | 17 |
| 83125-2430 | 24 | 3000 | 0.90 | 2500 | 3 | 77 | 4.6 | 18 | 20 |

◆ Gearmotor Technical Data

90JWG200K/83125-2420(42W)

| | | | | | | |
|---------------------|----|----|----|----|-----|------|
| Reduction ratio | 50 | 40 | 32 | 25 | 16 | 12.5 |
| No-load speed r/min | 40 | 50 | 62 | 80 | 125 | 160 |
| Rated speed r/min | 30 | 37 | 46 | 60 | 93 | 120 |
| Rated torque kg.cm | 63 | 50 | 40 | 31 | 14 | 11 |

90JWG200K/83125-2430(77W)

| | | | | | | |
|---------------------|----|----|----|-----|-----|------|
| Reduction ratio | 50 | 40 | 32 | 25 | 16 | 12.5 |
| No-load speed r/min | 60 | 75 | 93 | 120 | 187 | 240 |
| Rated speed r/min | 46 | 57 | 71 | 92 | 143 | 184 |
| Rated torque kg.cm | 80 | 64 | 51 | 40 | 18 | 14 |