

› EWS2

› Monitoring Relays

› 3-Phase Monitoring Relays

› Din Rail Mount 22.5 mm Phase Sequence & Phase Failure

› Space savings, accurate measurement and optimized functions all improve the efficiency of your electrical installation

› Control : You simply install your EWS2 phase control relay and without any adjustment you can monitor the loss or inversion of one of the phases

› Safety : The EWS2 range enables you to choose the level of safety for your installation by using versions with 1, 2 or 3 output changeovers

› Self-powered : Simple to install, EWS2 control relays use the controlled mains supply for their own power supply voltage



Specifications	
Output relay	Code
2 changeovers	84873034

Input	
Operating range	3 x 200 → 3 x 484 V AC
Operating range	3 x 230 → 3 x 400 V AC
Frequency	50 / 60 Hz
Maximum consumption	28 VA

Output	
Output relay	2 changeovers
Type of contacts	No cadmium
Nominal rating	8 A
Maximum breaking voltage	250 V AC
Nominal breaking capacity	2000 VA
Min. breaking current	10 mA / 5 VDC
Electrical life (number of operations)	10 ⁵ at 8A/250 V AC
Maximum rate (at full load)	360 operations / hour
Mechanical life (operations)	10 x 10 ⁶
Pick-up delay T1	≤ 650 ms
Turn-off delay T2	< 300 ms
Connection capacity - without ferrule	1 x 0,5 → 4 mm ² (AWG 20 → AWG 11) 2 x 0,5 → 2,5 mm ² (AWG 20 → AWG 14)
Connection capacity - with ferrule	1 x 0,5 → 2,5 mm ² (AWG 20 → AWG 14) 2 x 0,5 → 1,5 mm ² (AWG 20 → AWG 16)
Max. tightening torque (IEC/EN 60947-1)	0,6 → 1 Nm / 5,3 → 8,8 lbf.in

Environment	
Operating temperature range (°C)	-20 → +50
Storage temperature (°C)	-40 → +70
Housing material	Self-extinguishing

Environment	
Protection (IEC/EN 60529) - Casing	IP40
Protection (IEC/EN 60529) - Term. block	IP20
Dielectric strength (IEC/EN 60255-5)	2,5 KV / 1 mn / 1 mA / 50 Hz
Insulation coordination (IEC/EN 60664-1)	Overvoltage category III, degree of pollution 3 : 4 KV / 3
Weight (g)	86

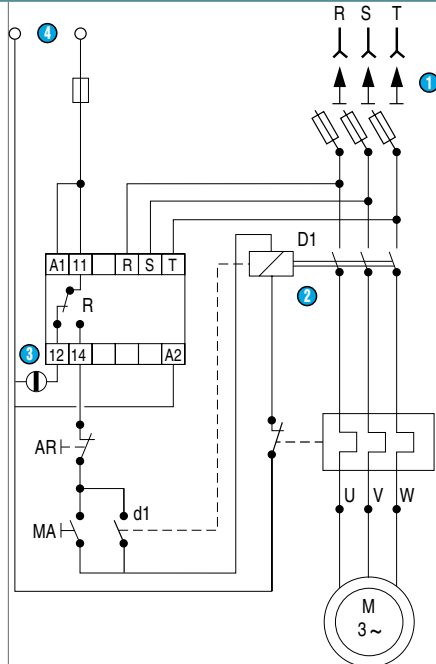
Dimensions	
EWS / EWS2	

Curves	

Connections	
EWS2	

Connections

EWS2



EWS2

