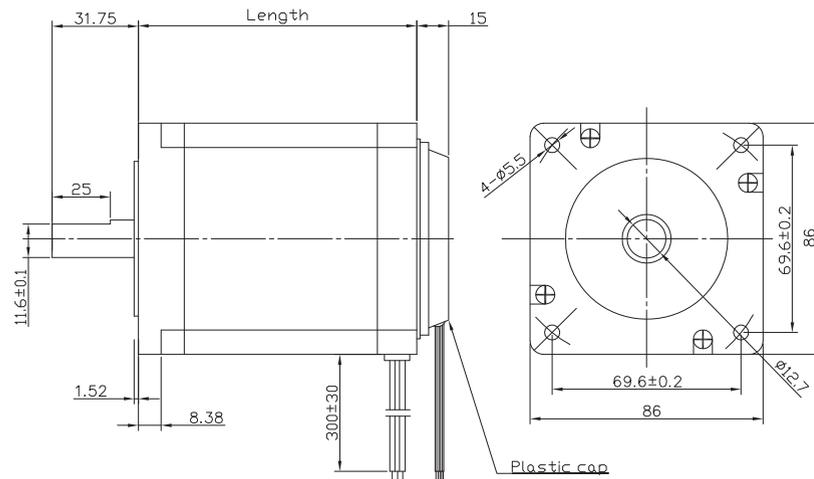


86BL Brushless Motor



Characteristics

HALL EFFECT ANGLE
120 ° ELECTRIC ANGLE

SHAFT RUN OUT
0,025 MM

INSULATION CLASS
B

RADIAL PLAY
0,02 MM 450G LOAD

AXIAL PLAY
0,08 MM 450G LOAD

MAX RADIAL FORCE
220 N (20 MM FROM FLANGE)

MAX AXIAL FORCE
60 N

DIELECTRIC STRENGTH
500 VDC FOR ONE MINUTE

INSULATION RESISTANCE
100 M OHM MIN. 500 VDC

Specification

Model	86BL58		86BL71		86BL98		86BL125	
1 N° OF POLE	-	8	-	8	-	8	-	8
2 N° OF PHASE	-	3	-	3	-	3	-	3
3 RATED VOLTAGE V	-	48	-	48	-	48	-	48
4 TERMINA RESISTANCE Ω	-	1,05	-	0,36	-	0,2	-	0,16
5 LINE TO LINE INDUCTANCE MH	-	2,02	-	1,05	-	0,48	-	0,03
6 LENGTH MM	-	58	-	71	-	98	-	125
7 ROTOR INERTIA G-CM ²	-	400	-	800	-	1600	-	2400
8 WEIGHT KG	-	1,5	-	1,85	-	2,6	-	4
CONNECTION	STAR	DELTA	STAR	DELTA	STAR	DELTA	STAR	DELTA
9 RATED SPEED	3000	6000	3000	6000	3000	6000	3000	6000
10 RATED TORQUE NM	0,35	0,175	0,7	0,35	1,4	0,7	2,1	1,05
11 MAX PEAK TORQUE NM	1,05	0,52	2,1	1,05	4,2	2,1	6,3	3,2
12 TORQUE CONSTANT NM/A	0,104	0,06	0,11	0,07	0,13	0,077	0,11	0,075
13 MAX PEAK CURRENT A	11	10	19	17	33	30	55	46

Connection

LEAD N°	COLOR	GAUGE	FUNCTION
1	RED	UL1430 AWG22	VCC HALLSENSOR
	-	-	+5 TO +24 VDC
2	BLUE	UL1430 AWG22	HALL A
3	GREEN	UL1430 AWG22	HALL B
4	WHITE	UL1430 AWG22	HALL C
5	BLACK	UL1430 AWG22	GND HALL SENSOR GROUND
6	YELLOW YELLOW/WHITE	UL1430 AWG16	PHASE U
7	RED RED/WHITE	UL1430 AWG16	PHASE V
8	BLACK BLACK/WHITE	UL1430 AWG16	PHASE W