

**A1 Series | Single-pole intermediate switch 10A quick connection 4.8 white body**



sample image

**PRODUCT CODE: A11562219000**

**Wiring diagrams**



**Terminal type**

**Accessories**

**Body colour**



**Actuator colour**



**Marking**



**Marking colour**



**Rating**

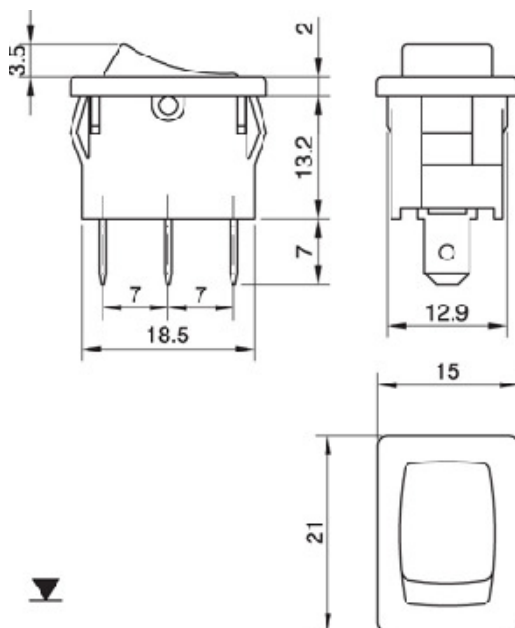
**10 (2) A / 250 VAC**  
**6 (1) A / 250 VAC - 5E4**  
**T125 °C**

6 A / 125 VAC  
6 A / 250 VAC  
1/8 HP - 125 VAC  
1/6 HP - 250VAC  
T105 °C

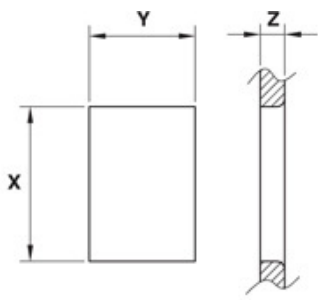
**Approvals**



**Dimensions (mm)**



**Cut out (mm)**



| <b>Z</b>     | <b>Y</b>   | <b>X</b>   |
|--------------|------------|------------|
| 0.7 ... 1.25 | 13.0 ± 0.1 | 19.0 + 0.1 |
| 1.25 ... 2   | 13.0 ± 0.1 | 19.3 + 0.2 |
| 2.0 ... 3    | 13.0 ± 0.1 | 19.6 + 0.2 |

**Stampa scheda**