

AI-FSS-2

The AI is a single key access interlock ideal for use on hinged doors. The interlock has an open cavity design manufactured in either aluminium alloy/brass or stainless steel, making it ideal for use in harsh or corrosive environments and heavy use. Typical industries using the AI are food, chemical, pharmaceutical, mining, steel and power generation.

## Operation

The Castell single key access interlocks are used in various applications to control part body access to hazardous areas.

### AI single key access interlock (bolt trapped - key free)

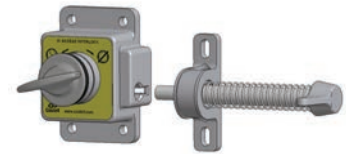
① Key is free, bolt is trapped



② Insert and turn key, then turn and release bolt



③ Key is trapped, bolt is unlocked



1. While the key is free, the bolt of the AI is trapped in the mechanism. The door is locked.
2. By inserting and turning the key in the Access Interlock, you can release the bolt. This will trap the key in the lock.
3. The key stays trapped while the bolt is released and the door is open.

### Technical Data

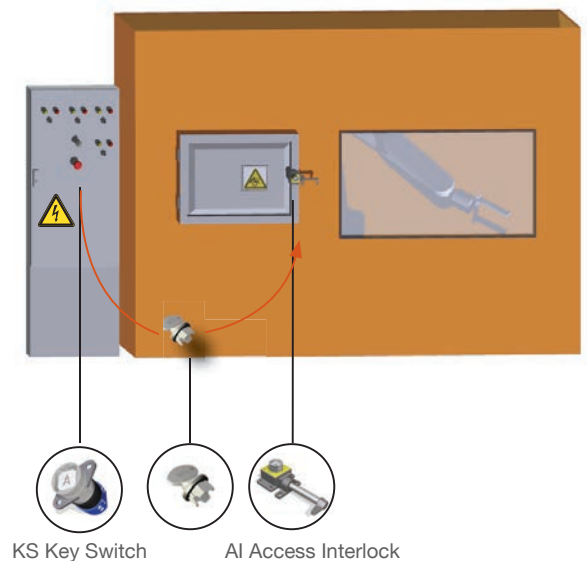
<b>Temperature rating</b>	Minimum: -40°C [-40°F] ice free for Q & FS Type
	Maximum: 107°C [224,6°F] for Q Type/140°C [284°F] for FS Type
<b>Type of mounting</b>	Surface mount using suitable fasteners (please refer to drawing on page 4 for more details)
<b>Weight</b>	Brass: 0,8 kg
	Stainless steel: 1,0 kg
<b>Material</b>	Aluminium alloy/brass or stainless steel
<b>MTTF Certification</b>	Available on request

### Application

A typical application of the AI Single Key Access Interlock is machine guarding with part body access.

The AI is used as a part of a safety system, which ensures a machine is shut down, before access to the hazardous area is allowed.

The system involves a KS key switch that breaks the machine safety circuit, when the key is removed. The key can then be taken to the AI Access Interlock to enable access to the machine. The machine cannot be restarted until the door is closed, the bolt is replaced and the key is removed and taken to the KS key switch.



### EC-Declaration

We, the manufacturers, declare that the components, detailed herein and placed on the market, comply with all the essential health and safety requirements applying to them.

Empowered signatory:

Mr T.C. Whelan  
Managing Director

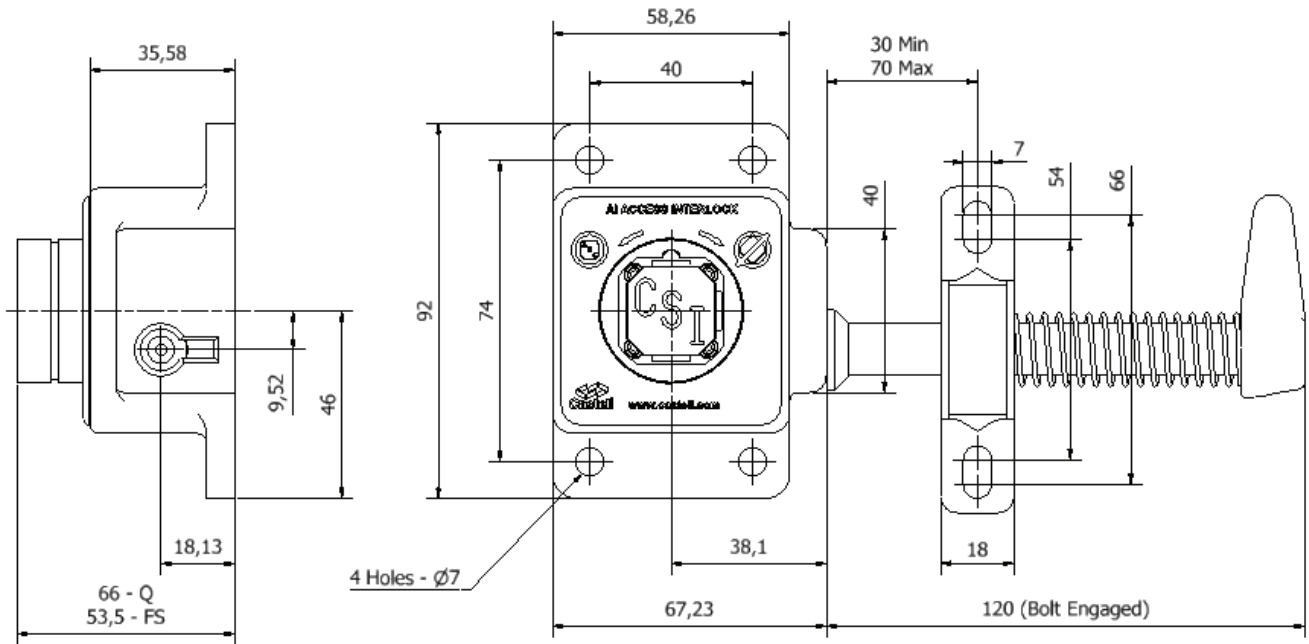


### Drawing

Dimensions:  
in mm

*Note: For safe mounting, use security screws*

AI, Hand 2



### Order Information

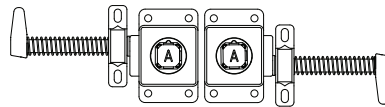
	<b>Product Type</b>	<b>1</b>	<b>2</b>	<b>3</b>
<b>Part Number</b>	AI			
<b>Example</b>	AI	FS	AL	1
	<b>4</b>			
	ABC			

<b>1</b>	<b>Lock portion type</b>	FS <sup>(1)</sup> / Q <sup>(1)</sup>
<b>2</b>	<b>Material</b>	AL = Aluminium alloy/brass S = Stainless steel
<b>3</b>	<b>Handing</b>	1 = left hinged door (bolt enters left) <sup>(2)</sup> 2 = right hinged door (bolt enters right) <sup>(2)</sup>
<b>4</b>	<b>Lock portion symbol</b>	FS <sup>(1)</sup> up to 3 characters / Q <sup>(1)</sup> up to 6 characters

(1) **FS - Lock type** Up to 3 characters    **Q - Lock type** Up to 6 characters




(2) **Handing**    **1**    **2**



Special construction available upon enquiry

### Accessories

	Product	Part number
	Flip Cap	FLIP-S

### Contact Information

Castell Safety International Ltd.  
The Castell Building  
217 Kingsbury Road  
London, England NW9 9PQ

t: +44 (0) 20 8200 1200  
f: +44 (0) 20 8905 9378  
e: [uksales@castell.com](mailto:uksales@castell.com)

Castell Safety International Ltd.  
Oskar-Jäger-Strasse 137  
50825 Köln  
Germany

t: +49 (0) 221 1649 794  
f: +49 (0) 221 1649 795  
e: [vertrieb@castell.com](mailto:vertrieb@castell.com)

Castell Interlocks Inc.  
Suite 800  
150 N Michigan Avenue,  
Chicago, Illinois 60601  
USA

t: +1.312.360.1516  
f: +1.312.268.5174  
e: [ussales@castell.com](mailto:ussales@castell.com)

Castell Safety China  
Building 1, No. 123,  
Lane 1165, Jindu Road,  
Minhang District,  
Shanghai 201108, China.

t: +86 21 61519023  
f: +86 21 61519030  
e: [chinasales@castell.com](mailto:chinasales@castell.com)

While every effort has been made to ensure the accuracy of the information provided, no liability can be taken for any errors or omission. Castell Safety International Limited reserves the right to alter specifications and introduce improvements without prior notice.