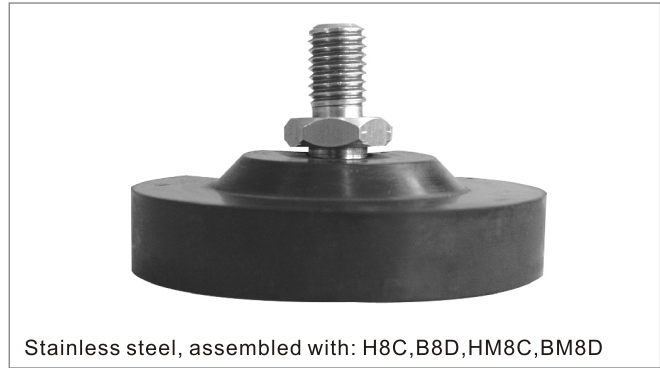


## Accessory

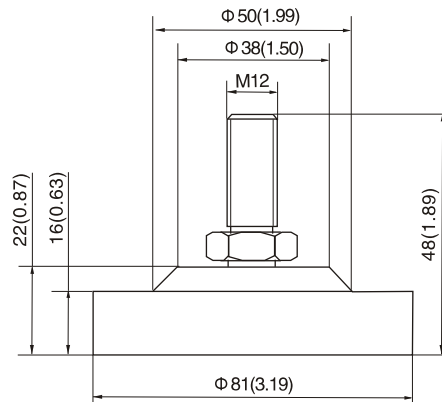
### BJ-8-215

**Capacity** 0.5t-2t  
**Part number** BJ-8-215-0.5/2t

**Features:**  
Easy installation, adjustable height, automatically centralized inside, good ability of anti-side loading. Mainly used for platform scales, floor scales and other electronic weighing devices.



#### Outline Dimension mm(inch)



### HJ-8-216

**Capacity** 2.5t-5t  
**Part number** HJ-8-216-2.5/5t

**Features:**  
Easy installation, automatically centralized inside, good ability of anti-side loading. Mainly used for platform scales, floor scales and other electronic weighing devices.



#### Outline Dimension mm(inch)

