

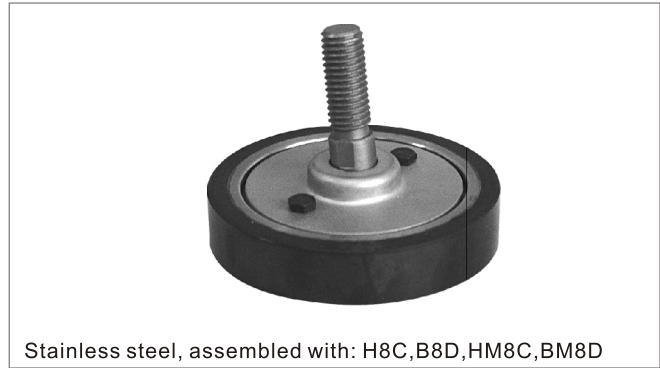
## Accessory

### BJ-8-219

Capacity	Part number
0.5t-2t	BJ-8-219-0.5/2t
1Klb-4Klb	BJ-8-219-1/4K

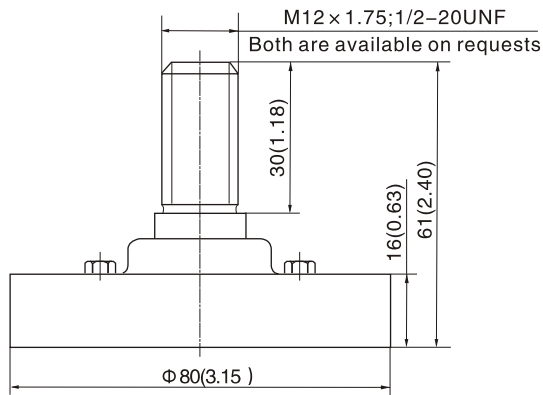
**Features:**

Easy installation, automatically centralized inside, good ability of anti-side loading. Mainly used for platform scales, floor scales and other electronic weighing devices.



Stainless steel, assembled with: H8C,B8D,HM8C,BM8D

#### Outline Dimension mm(inch)



### BJ-8-220

Capacity	Part number
0.5t-2t	BJ-8-220-0.5/2t
1Klb-4Klb	BJ-8-220-1/4K

**Features:**

Easy installation, automatically centralized inside, good ability of anti-side loading. Mainly used for platform scales, floor scales and other electronic weighing devices.



Stainless steel, assembled with: H8C,B8D,HM8C,BM8D

#### Outline Dimension mm(inch)

