

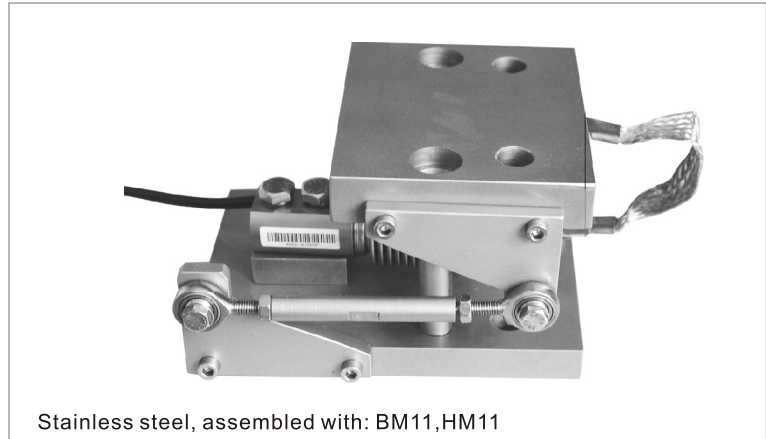
Accessory

BM-11-402

| Capacity | Part number |
|-------------|---------------------|
| 5kg-200kg | BM-11-402-5/200kg |
| 350kg-500kg | BM-11-401-350/500kg |

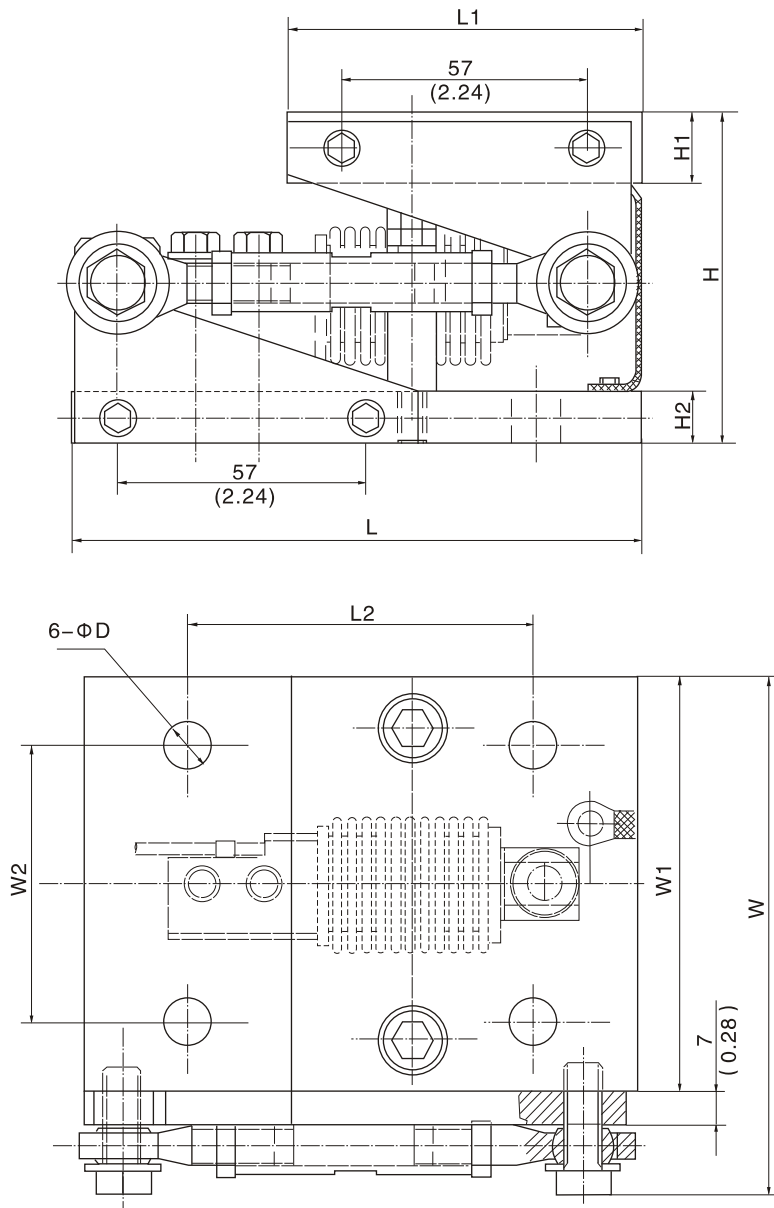
Features:

- Compact construction, easy installation
- With anti-reversal ability
- With horizontal locating ability
- With anti-overloading ability
- With self-aligning ability



Stainless steel, assembled with: BM11, HM11

Outline Dimension mm(inch)



| Dimension | Capacity | |
|-----------|---------------|---------------|
| | 5kg-200kg | 350kg-500kg |
| H | 77 (3.03) | 90 (3.54) |
| H1 | 12 (0.47) | 20 (0.79) |
| H2 | 12 (0.47) | 15 (0.59) |
| L | 130 (5.12) | 160 (5.3) |
| L1 | 75 (2.95) | 100 (3.94) |
| L2 | 95 (3.74) | 100 (3.94) |
| W | 111 (4.37) | 141 (5.55) |
| W1 | 90 (3.54) | 120 (4.72) |
| W2 | 60 (2.36) | 80 (3.15) |
| ΦD | Φ9 (0.35) | Φ14 (0.55) |