

Accessory

BM-14-414

Capacity

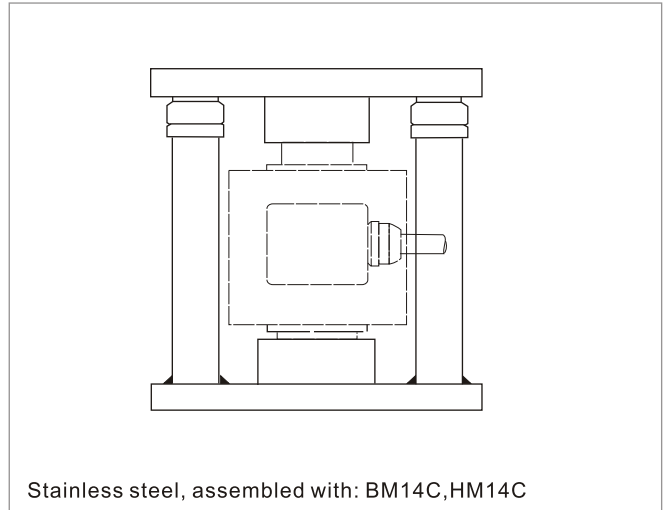
0.5t-5t
10t-50t

Model

BM-14-414-0.5/5t
BM-14-414-10/50t

Features:

- Compact construction, easy installation
- With anti-reversal ability
- With anti-overloading ability
- With self-aligning ability



Stainless steel, assembled with: BM14C, HM14C

Outline Dimension mm(inch)

