

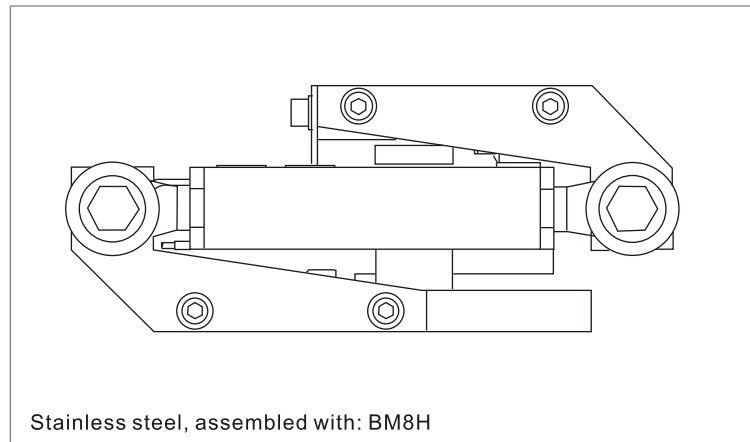
Accessory

BM-8-412

Capacity 0.5t-2t
Part number BM-8-412-0.5/2t

Features:

- Compact construction, easy installation
- With horizontal locating ability
- With anti-reversal ability
- With anti-overloading ability
- With self-aligning ability



Outline Dimension mm(inch)

