

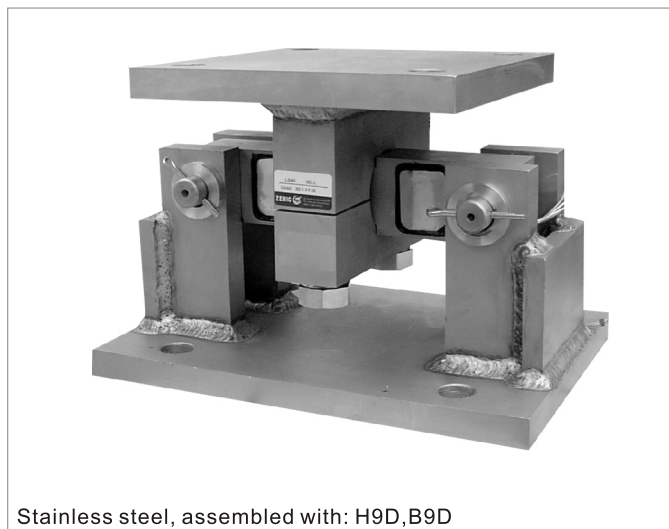
Accessory

BM-9-404

Capacity	Part number
1Klb-5Klb	BM-9-404-1/5Klb
10Klb-35Klb	BM-9-404-10/35Klb
50Klb-75Klb	BM-9-404-50/75Klb

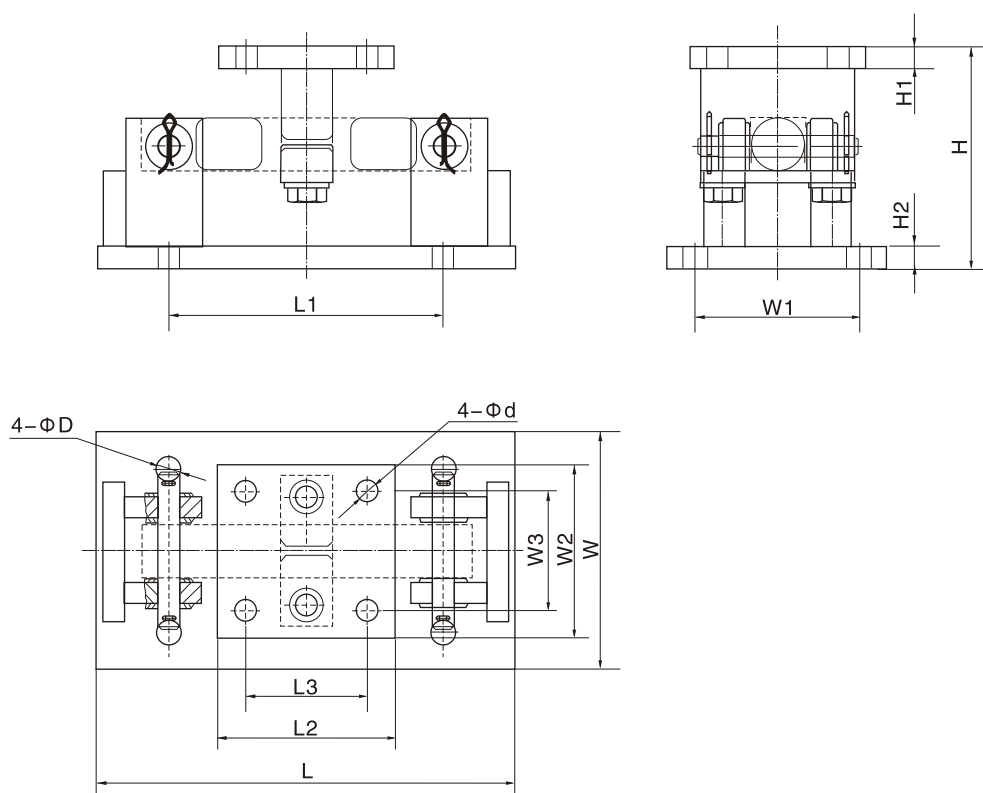
Features:

- Compact construction, easy installation
- Excellent anti-side loading ability
- Using under heavy static load or slight dynamic load
- Stainless steel, with good ability against corrosive environments.



Stainless steel, assembled with: H9D, B9D

Outline Dimension mm(inch)



Dimension Capacity	L	L1	L2	L3	W	W1	W2	W3	H	H1	H2	ΦD	Φd
1-5Klb	241.3 (9.5)	158.8 (6.25)	101.6 (4)	69.9 (2.75)	139.7 (5.5)	95.3 (3.75)	101.6 (4)	69.9 (2.75)	130.3 (5.13)	12.7 (0.5)	12.7 (0.5)	14.2 (0.56)	14.2 (0.56)
10-35Klb	292.1 (17.5)	190.5 (7.5)	203.2 (8)	152.4 (6)	203.2 (8)	152.4 (6)	203.2 (8)	152.4 (6)	200.67 (7.90)	19.1 (0.75)	19.1 (0.75)	20.6 (0.81)	20.6 (0.81)
50-75Klb	406.4 (16)	292.1 (11.5)	203.2 (8)	165.1 (6.5)	298.5 (11.75)	241.3 (9.5)	203.2 (8)	165.1 (6.5)	233.7 (9.2)	25.4 (1)	25.4 (1)	20.6 (0.81)	20.6 (0.81)