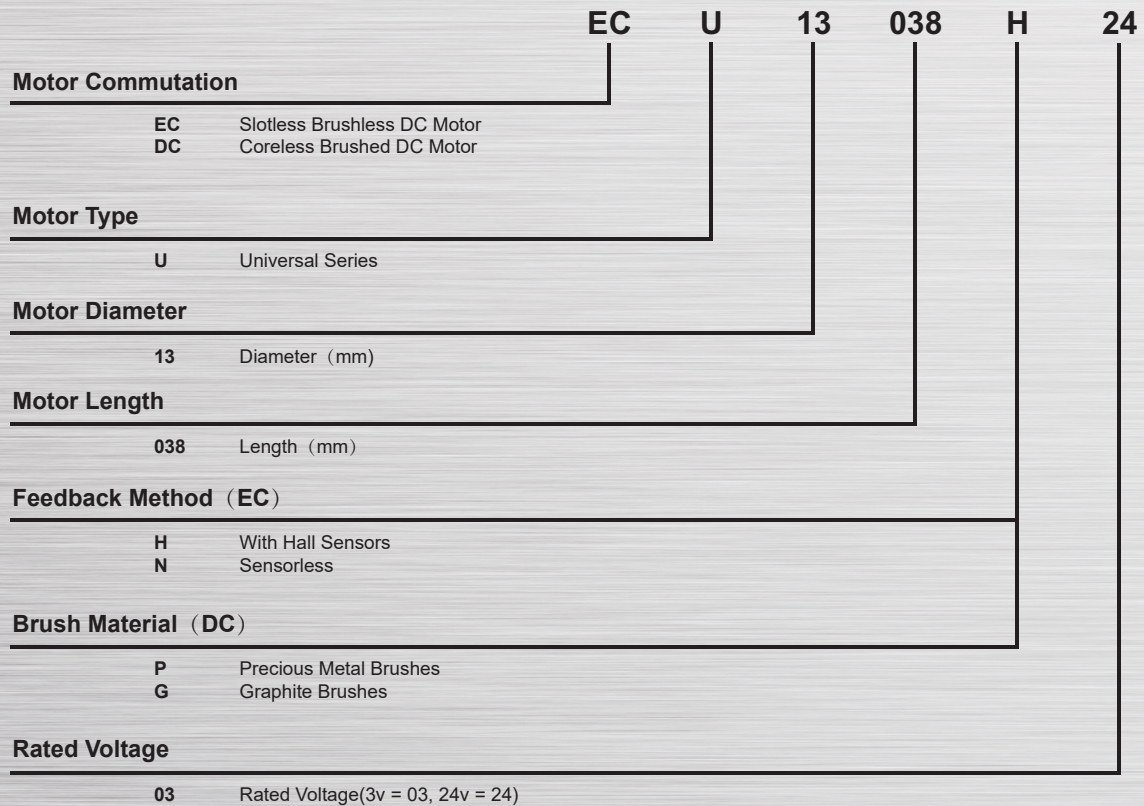


Product Feature

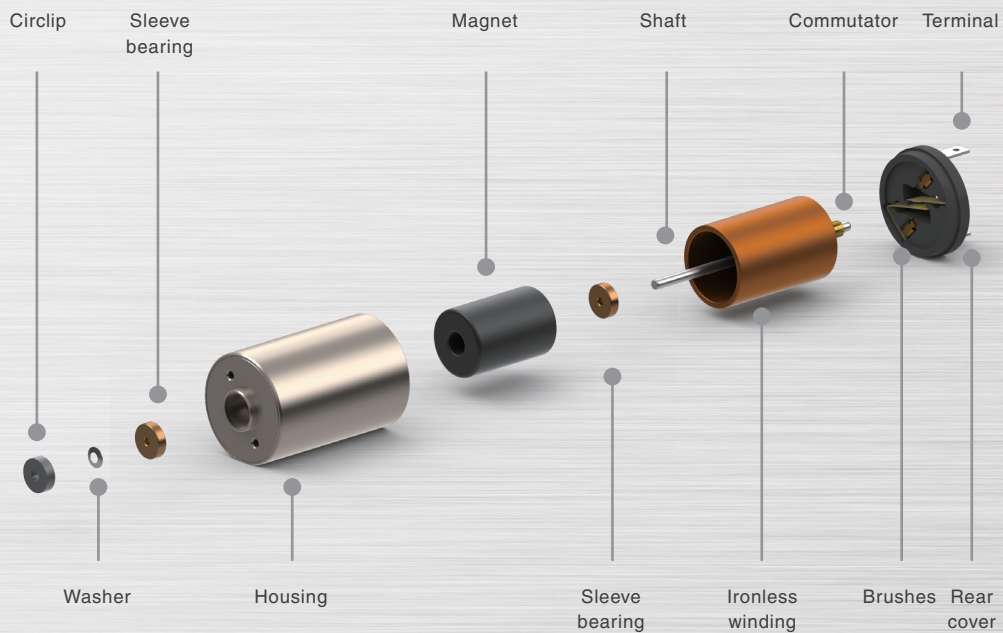
MOONS' EC motor and DC motor use independent patented ironless winding. this special design can bring high speed, high torque and low noise. Because of no cogging and compact structure, we can get smoother running at high or low speed, more accurate control, higher efficiency and higher power density.

- Ironless Winding
- Small Size
- High Torque
- High Speed

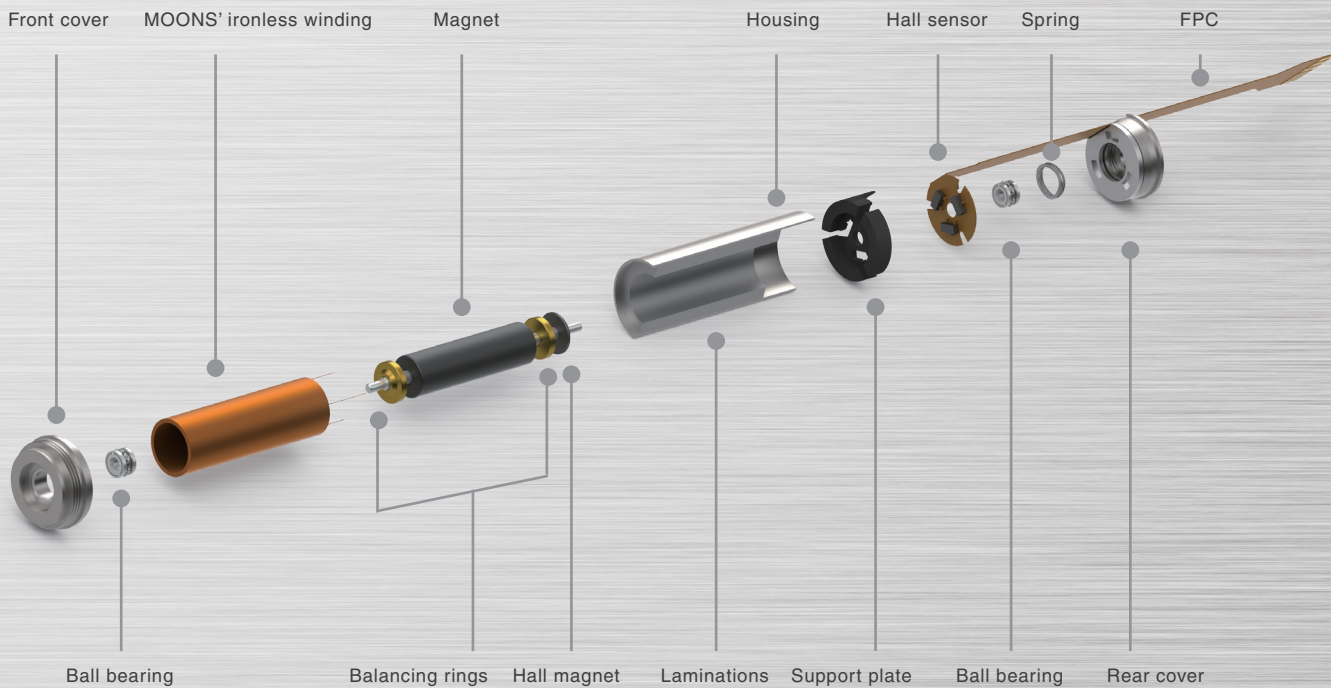
Product Code



DC Series Motor Structure



EC Series Motor Structure



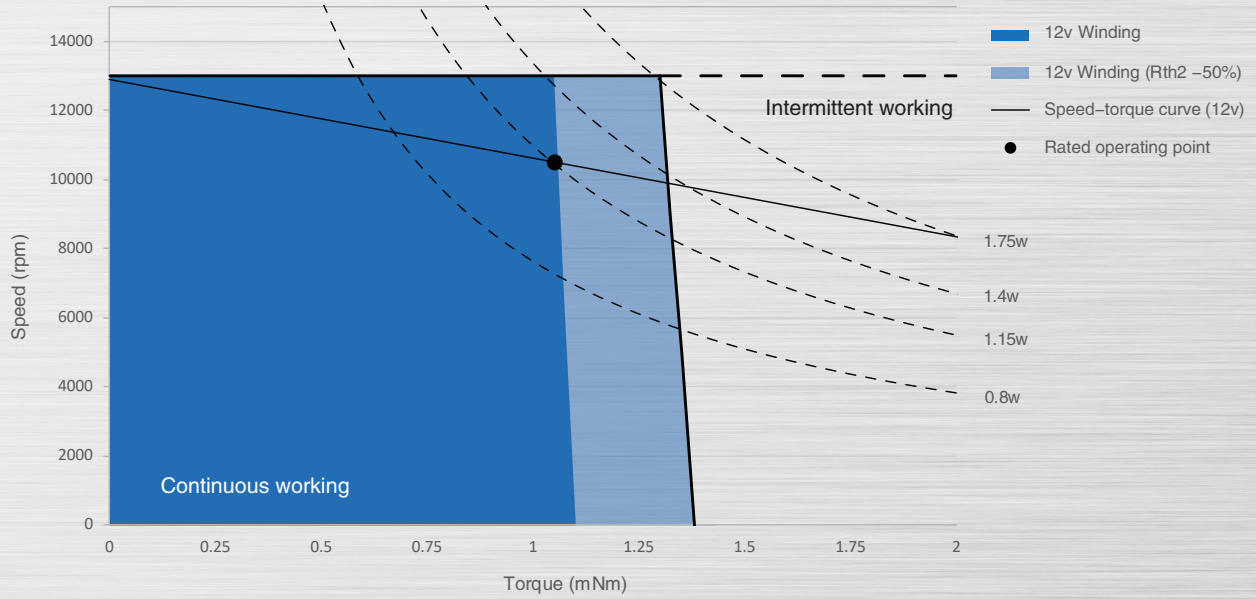
DCU13020 \varnothing 13mm Precious Metal Brushes 1.15W

Motor Data		Part Numbers		
		DCU13020P06	DCU13020P09	DCU13020P12
Nominal voltage	V	6	9	12
No load speed	rpm	12100	12400	12900
No load current	mA	23	12	8
Rated speed	rpm	9450	9850	10250
Rated torque	mNm	1.03	1.12	1.10
Rated current	A	0.25	0.17	0.14
Stall torque	mNm	4.98	5.38	5.54
Stall current	A	1.11	0.77	0.65
Max efficiency	%	73	80	79
Terminal Resistance	Ohm	5.4	11.7	18.6
Terminal Inductance	mH	0.111	0.254	0.392
Torque constant	mNm / A	4.5	7.0	8.6
Speed constant	rpm / V	2060	1400	1090
Speed/torque gradient	rpm / mNm	2563	2287	2407
Mechanical time constant	ms	9.22	7.82	7.92
Rotor inertia	gcm ²	0.355	0.319	0.319

Specification

Max speed	rpm	13000
Number of pole pairs		1
Number of commutator segments		5
Ambient temperature	° C	-10~+60
Max winding temperature	° C	85
Thermal resistance		
Housing - Ambient	° C/ W	55
Winding - Housing	° C/ W	17
Thermal time constant		
Motor	s	80
Winding	s	5
Axial play	mm	≤0.3
Weight	g	14

Operating Range



Dimension

