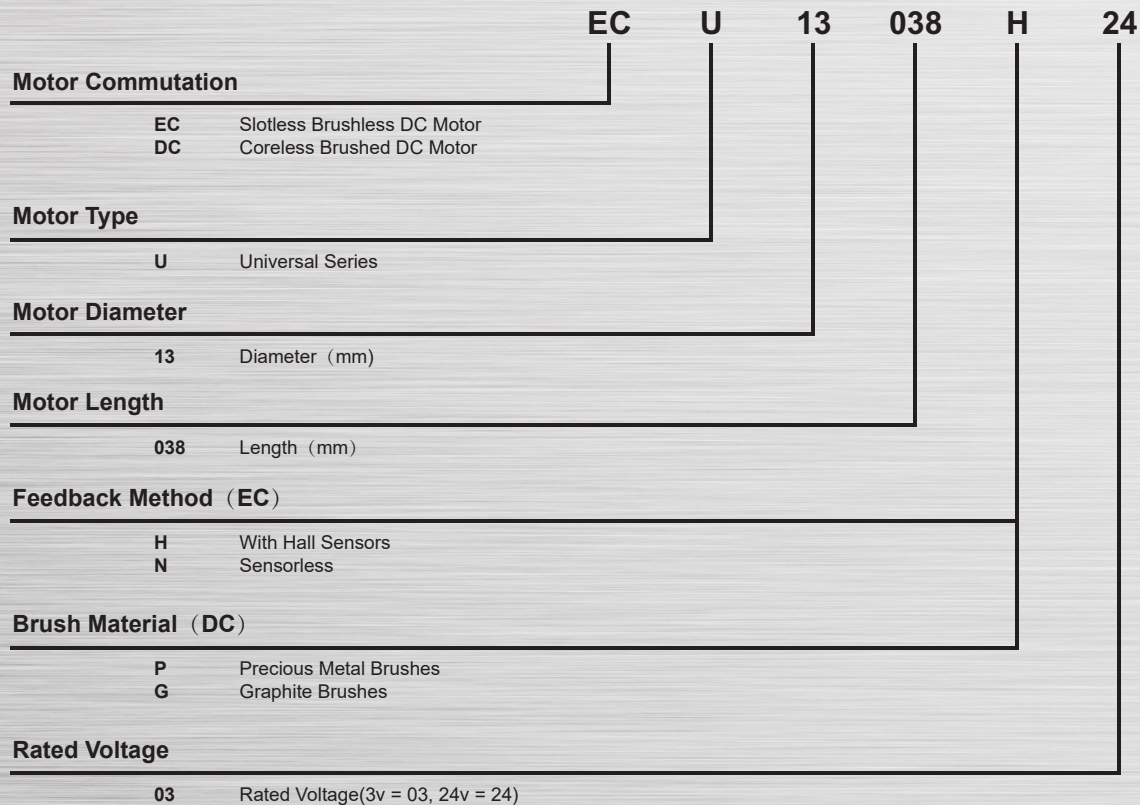


# Product Feature

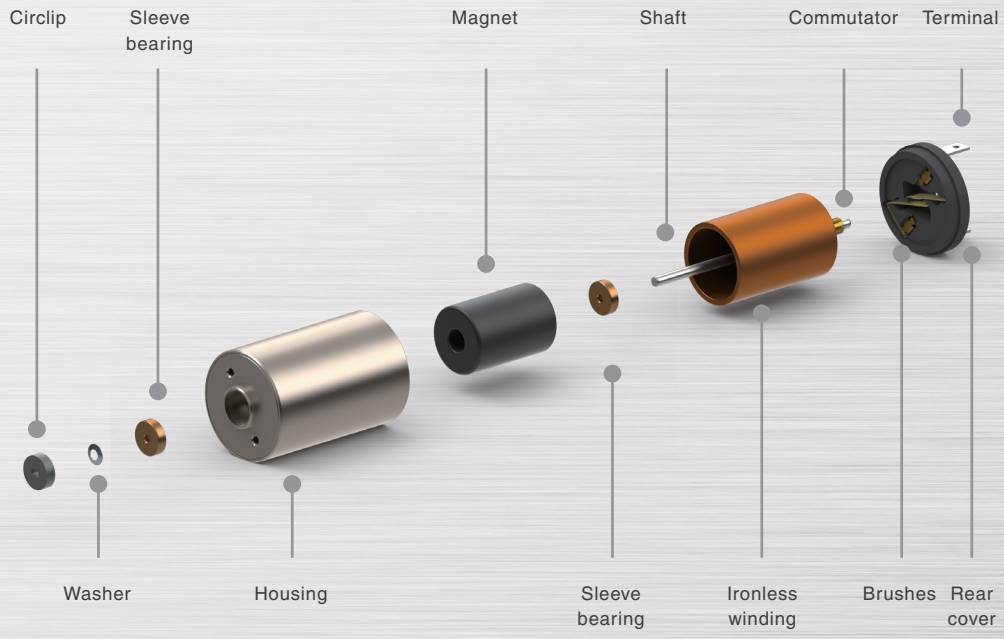
MOONS' EC motor and DC motor use independent patented ironless winding. this special design can bring high speed, high torque and low noise. Because of no cogging and compact structure, we can get smoother running at high or low speed, more accurate control, higher efficiency and higher power density.

- Ironless Winding
- Small Size
- High Torque
- High Speed

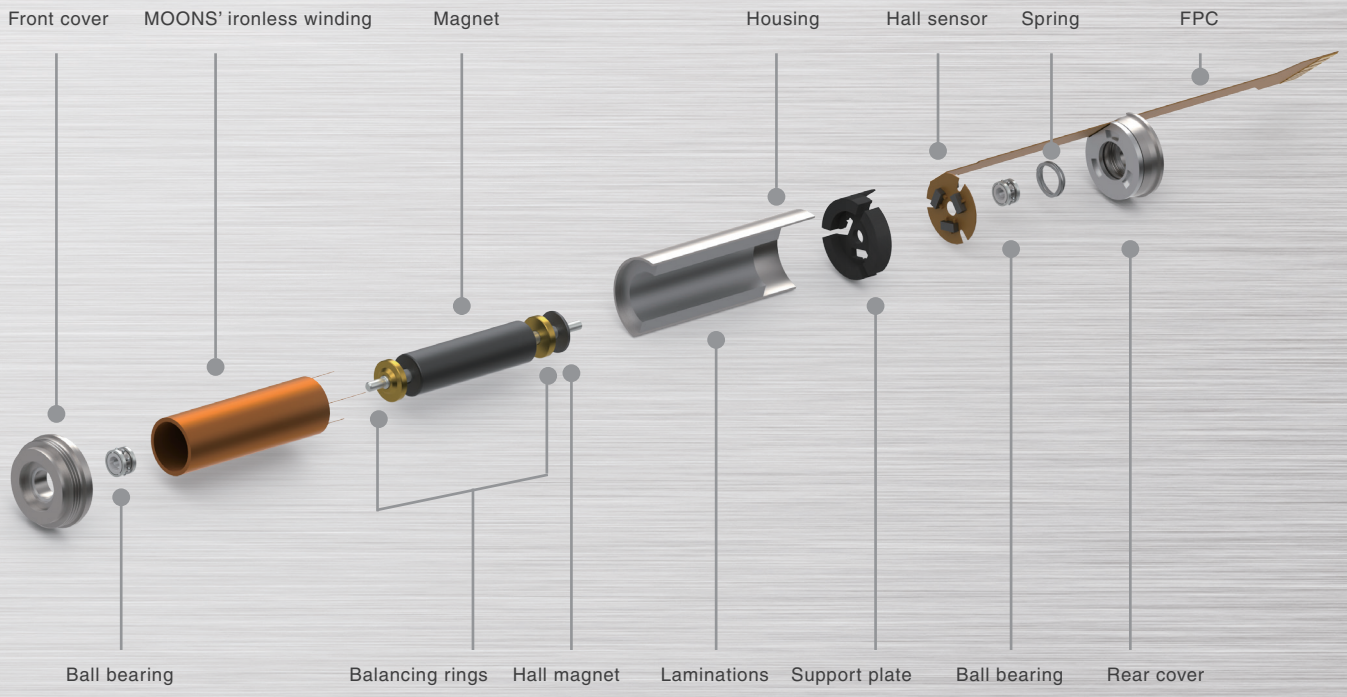
## Product Code



# DC Series Motor Structure



# EC Series Motor Structure



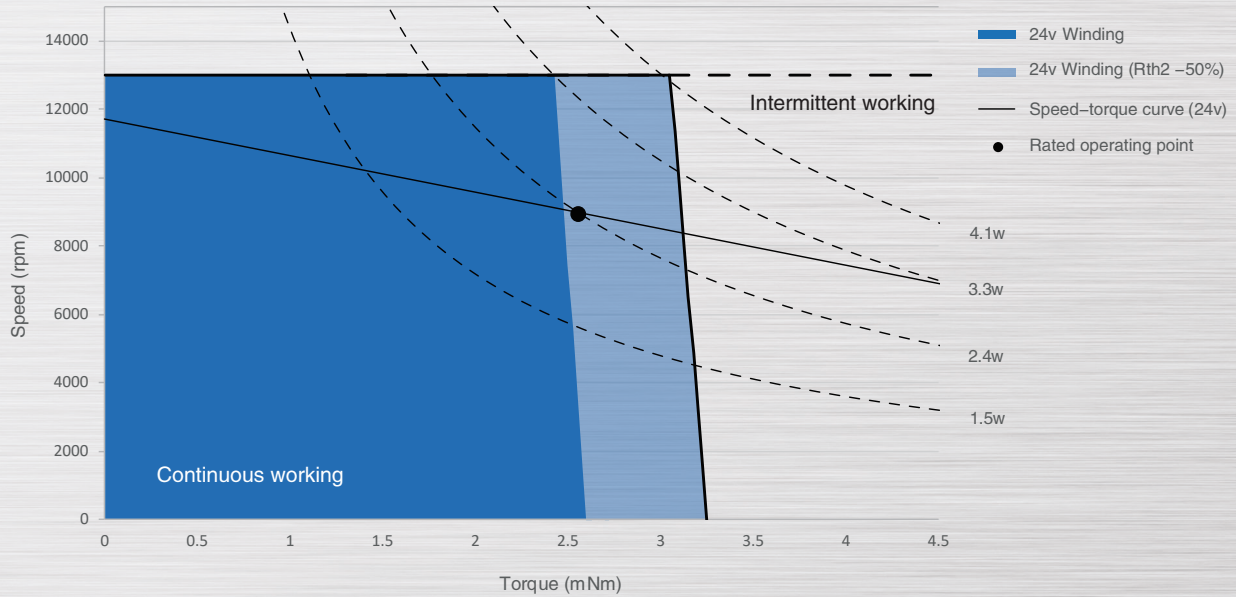
# DCU13028 $\varnothing$ 13mm Precious Metal Brushes 2.4W

Motor Data		Part Numbers		
		DCU13028P12	DCU13028P18	DCU13028P24
Nominal voltage	V	12	18	24
No load speed	rpm	11800	11400	11700
No load current	mA	17	11	8
Rated speed	rpm	9000	8600	8900
Rated torque	mNm	2.57	2.57	2.58
Rated current	A	0.29	0.18	0.14
Stall torque	mNm	11.07	10.61	10.92
Stall current	A	1.17	0.72	0.57
Max efficiency	%	78	78	78
Terminal Resistance	Ohm	10.3	25.1	42.2
Terminal Inductance	mH	0.253	0.595	1.03
Torque constant	mNm / A	9.5	14.8	19.2
Speed constant	rpm / V	1000	645	495
Speed/torque gradient	rpm / mNm	1090	1094	1093
Mechanical time constant	ms	4.77	4.80	4.79
Rotor inertia	gcm <sup>2</sup>	0.419	0.421	0.419

## Specification

Max speed	rpm	13000
Number of pole pairs		1
Number of commutator segments		5
Ambient temperature	° C	-10~+60
Max winding temperature	° C	85
Thermal resistance		
Housing - Ambient	° C/ W	38
Winding - Housing	° C/ W	10
Thermal time constant		
Motor	s	240
Winding	s	5
Axial play	mm	≤0.3
Weight	g	21

## Operating Range



## Dimension

