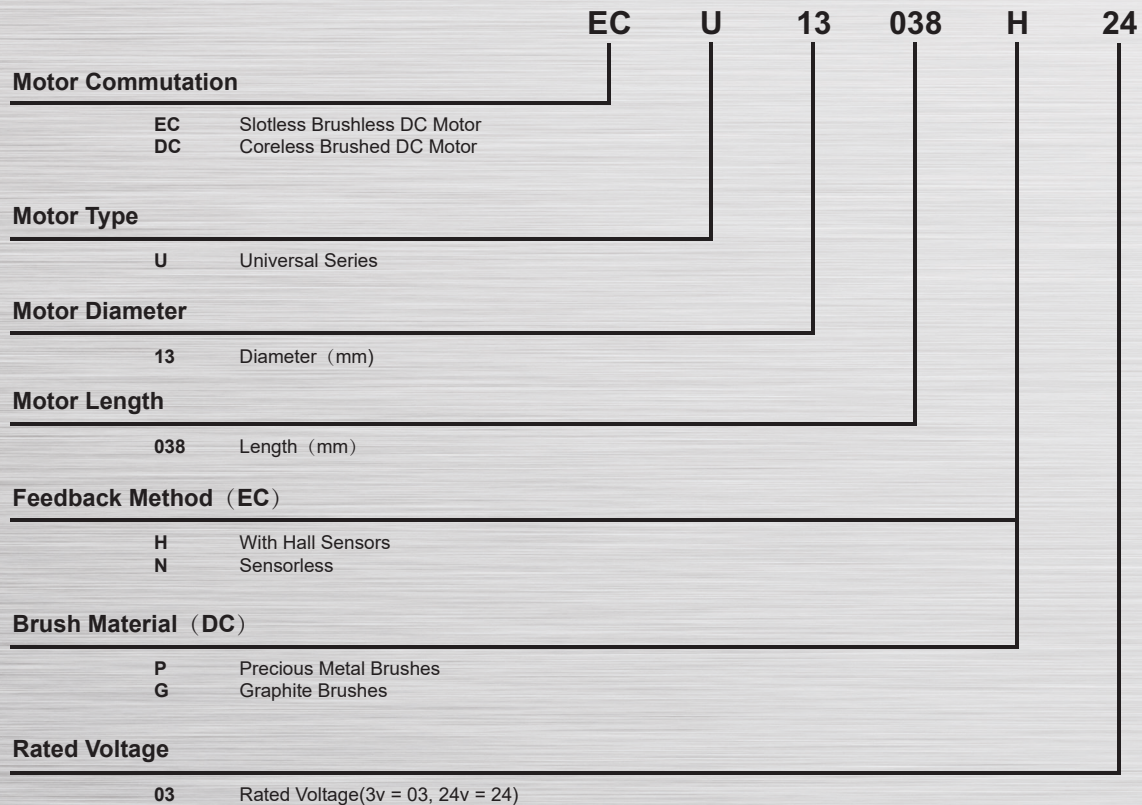


Product Feature

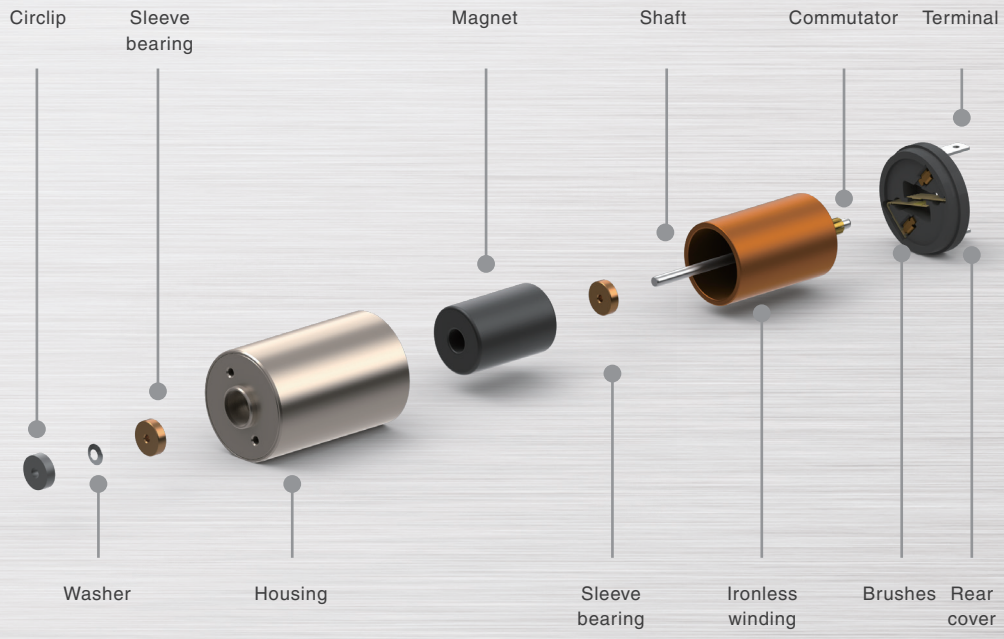
MOONS' EC motor and DC motor use independent patented ironless winding. this special design can bring high speed, high torque and low noise. Because of no cogging and compact structure, we can get smoother running at high or low speed, more accurate control, higher efficiency and higher power density.

- Ironless Winding
- Small Size
- High Torque
- High Speed

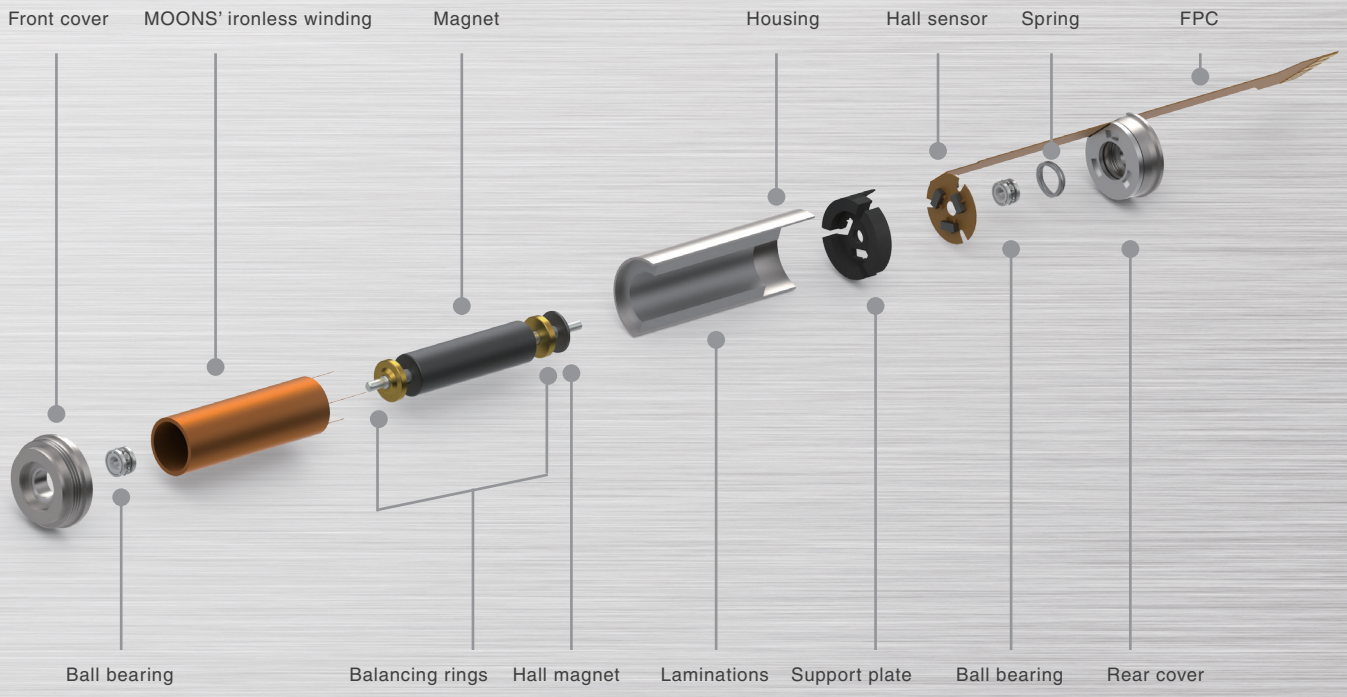
Product Code



DC Series Motor Structure



EC Series Motor Structure



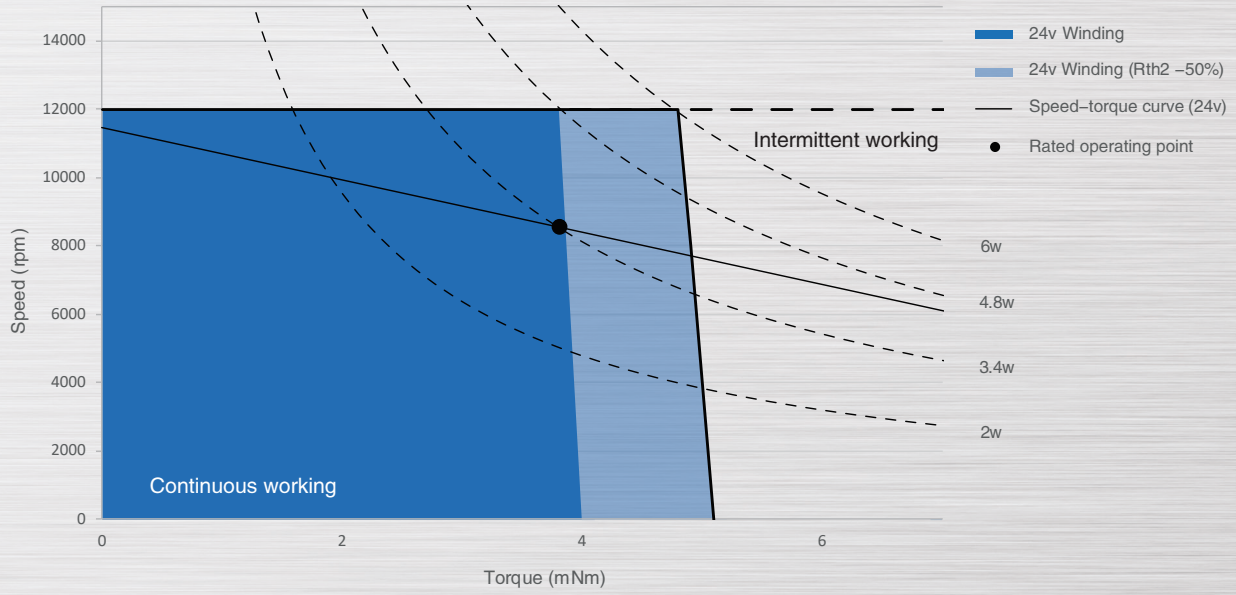
DCU17025 Ø17mm Precious Metal Brushes 3.4W

Motor Data		Part Numbers	
		DCU17025P12	DCU17025P24
Nominal voltage	V	12	24
No load speed	rpm	10400	11400
No load current	mA	8	4
Rated speed	rpm	7300	8250
Rated torque	mNm	4.09	4.03
Rated current	A	0.39	0.21
Stall torque	mNm	14.11	14.87
Stall current	A	1.32	0.75
Max efficiency	%	83	86
Terminal Resistance	Ohm	9.1	31.8
Terminal Inductance	mH	0.280	0.957
Torque constant	mNm / A	10.7	19.7
Speed constant	rpm / V	870	480
Speed/torque gradient	rpm / mNm	759	782
Mechanical time constant	ms	5.91	6.09
Rotor inertia	gcm ²	0.752	0.746

Specification

Max speed	rpm	12000
Number of pole pairs		1
Number of commutator segments		5
Ambient temperature	° C	-10~+60
Max winding temperature	° C	125
Thermal resistance		
Housing - Ambient	° C/ W	29
Winding - Housing	° C/ W	5
Thermal time constant		
Motor	s	270
Winding	s	7
Axial play	mm	≤0.3
Weight	g	30

Operating Range



Dimension

