

E3000plus 1/8 Din Panel Indicator



The E3000plus has multi-point scaling, tare function and improved flexibility. It is available with red, green or green to red colour change displays. Plug-in modules allow up to five alarm relays (latching or non-latching), PV retransmission or transmitter PSU.

- Jumperless Configuration
- Auto Detected Hardware
- Up to 5 Alarm Outputs
- Modbus protocol
- Min/max Value Hold
- Tare (auto-zero) Function
- Multi-point Scaling
- Colour Change Display Option

Technical Data

Features

Output Configuration

Alarms

Viewable Values

Legends

Human Interface

Input

Thermocouple

RTD

DC Linear

Impedance

Accuracy

Sampling

Sensor Break Detection

Outputs & Options

Single Alarm Relays

Dual Alarm Relays

SSR Driver Outputs

Triac Outputs

DC Linear Retransmit Outputs

Transmitter Power Supply

Serial Communications

Digital Input

Operating & Environmental

Temperature & RH

Power Supply

Front Panel Protection

Standards

Up to 5 total. Max 3 single/2 dual relay, max 1 retransmit of PV, max 1 transmitter power supply

Up to 5. Process high low or logical OR (direct or reverse acting). With adjustable hysteresis

Process variable, maximum value, minimum value and alarm 1 elapsed time since reset

°C/°F LED. Labels for 27 other common units, mounted behind clear window

3 button operation, 4 digit 13mm high display red, green or red/green (colour change on alarm), plus 1 set-up, 5 alarm 1 max and 1 min indicator

J, K, C, R, S, T, B, L, N & PtRh20%vsPtRh40%.

3 Wire PT100, 50Ω per lead maximum (balanced)

0 to 20mA, 4 to 20mA, 0 to 50mV, 10 to 50mV, 0 to 5V, 1 to 5V, 0 to 10V, 2 to 10V.

Scaleable -1999 to 9999, with adjustable decimal point

>10MΩ for Thermocouple and mV ranges, 47KΩ for V ranges and 5Ω for mA ranges

±0.1% of input range ±1 LSD (T/C CJC better than 1°C)

4 per second, 14 bit resolution approximately

<2 seconds (except zero based DC ranges), high alarms activate for T/C, RTD and mV ranges, low alarms activate for mA or V ranges

Contacts SPDT 2 Amp resistive at 240V AC, >500,000 operations. Latching or non-latching

Two x SPST contacts with shared common. 2 Amp resistive at 240V AC, >200,000 operations. Latching or non-latching

Drive capability >10V DC in 500Ω minimum

0.01 to 1 Amp AC, 20 to 280Vrms, 47 to 63Hz

0 to 20mA, 4 to 20mA into 500Ω max, 0 to 10V, 2 to 10V, 0 to 5V into 500Ω min.

Accuracy ±0.25% at 250Ω (degrades linearly to 0.5% for increasing burden to specified limits)

Output 24VDC (nominal) into 910Ω minimum to power external devices

2 Wire RS485, 1200 to 19200 Baud, Modbus protocol

External reset of latched relay, stored alarm 1 elapsed time, stored min/max PV values or initiate tare function. Volt free or TTL input

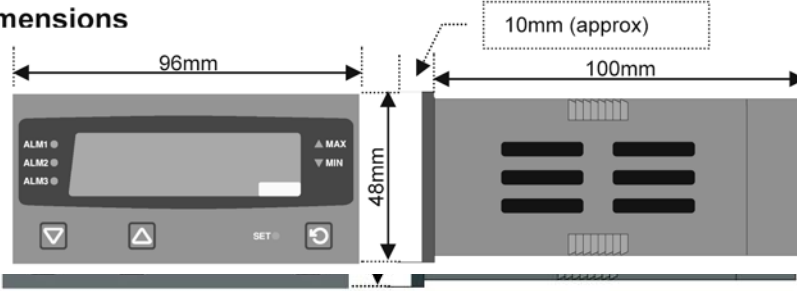
0 to 55°C (-20 to 80°C storage), 20% to 95% RH non-condensing

100 to 240V 50/60Hz 7.5VA (optional 20 to 48V AC 7.5VA/22 to 65V DC 5 watts)

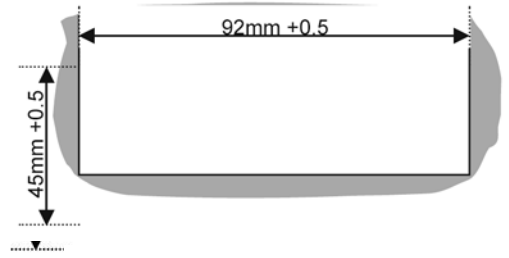
IEC IP66 (Behind panel protection is IP20)

CE.

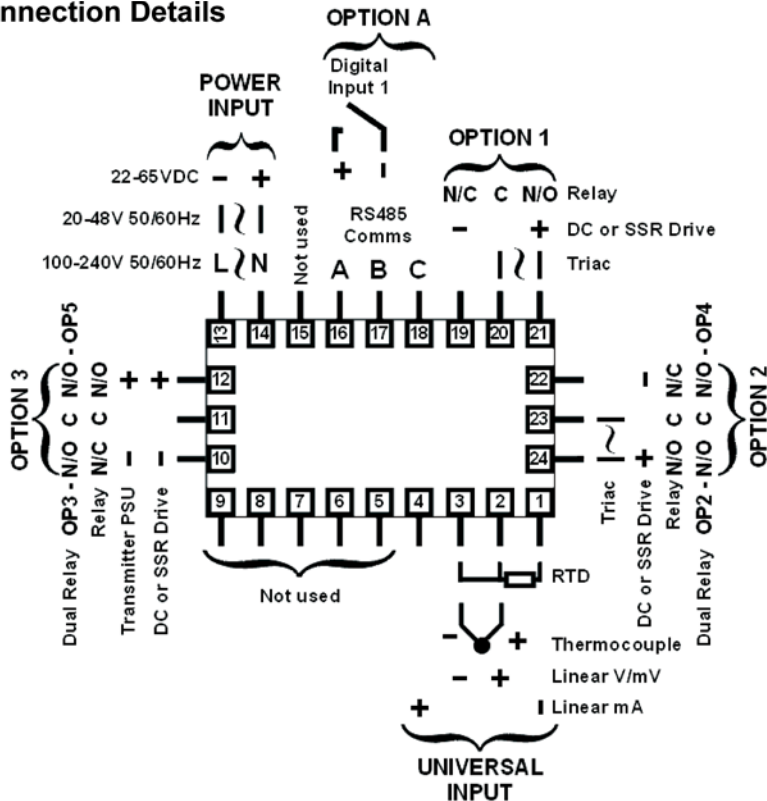
Dimensions



Cut out



Connection Details



Order Code

E3000plus - [X] - [X] - [X] - [X] - [X] - [X] - [X]

Input Type

3 Wire RTD or DC mV	1
Thermocouple	2
DC mA	3
DC Voltage	4

Option Slot 1

Not fitted	0
Relay	1
DC for SSR	2
DC 0-10V	3
DC 0-20mA	4
DC 0-5V	5
DC 2-10V	6
DC 4-20mA	7
Triac	8

Option Slot 2

Not fitted	0
Relay	1
DC Driver for SSR	2
DC 0-10V	3
DC 0-20mA	4
DC 0-5V	5
DC 2-10V	6
DC 4-20mA	7
Triac	8
Dual Relay	9

Display Colour

0	Fixed Red
1	Fixed Green
4	Red/Green Colour Change

Power Supply

0	100-240V AC
2	24-48V AC or DC

Option Slot A

0	Not fitted
1	RS485 Communications
3	Digital Input

Option Slot 3

0	Not fitted
1	Relay
2	DC Driver for SSR
3	DC 0-10V
4	DC 0-20mA
5	DC 0-5V
6	DC 2-10V
7	DC 4-20mA
8	Transmitter Power Supply
9	Dual Relay