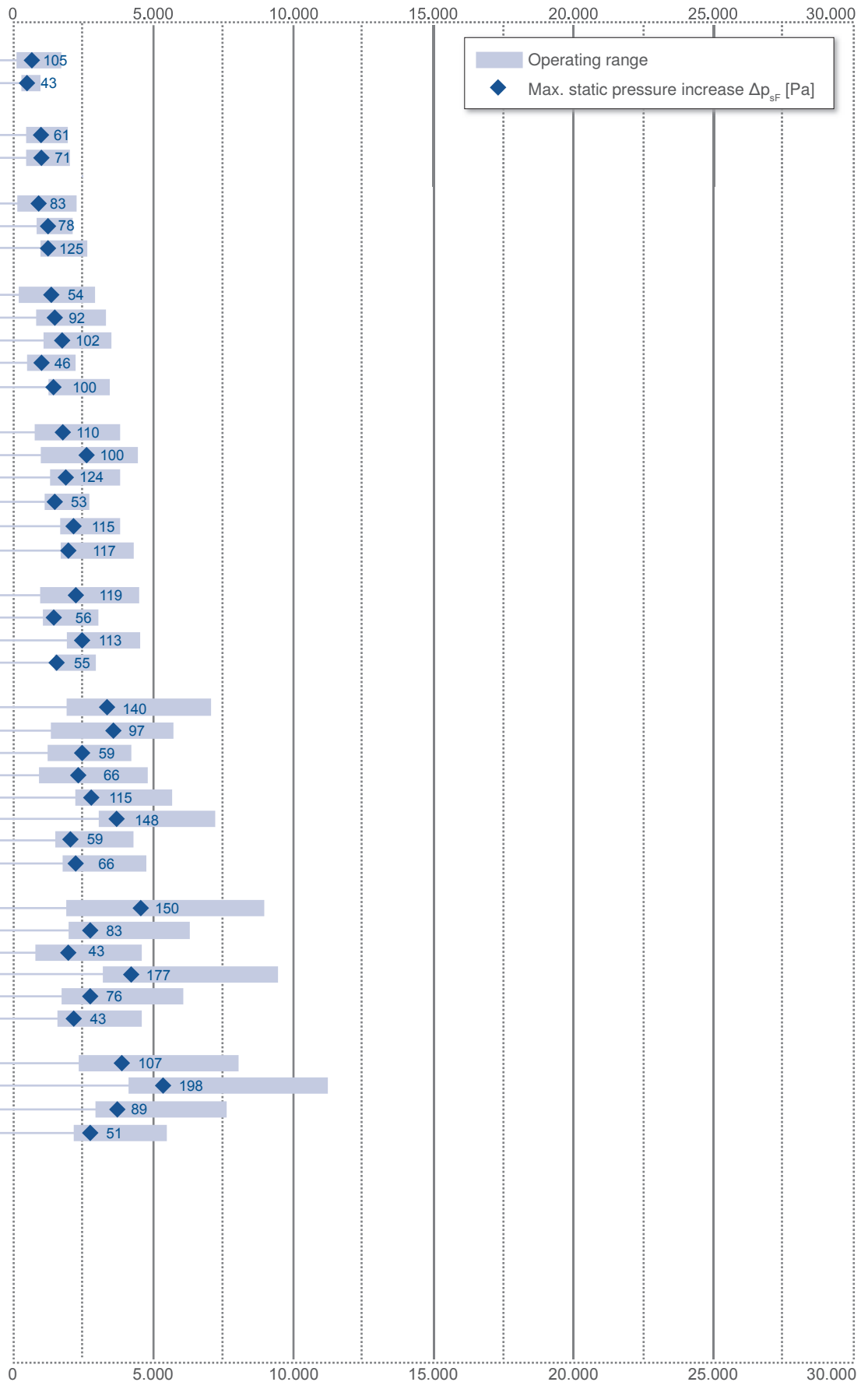


Size	Voltage	Number of poles	Type	Airflow direction	ErP	Page	
250 mm	1~ 230 V	2	FN025-2E_WA_7	⇒ A ⇐ V	-	126	
		4	FN025-4E_W8_7	⇒ A ⇐ V	-	128	
300 mm	1~ 230 V	4	FN030-4E_WA_7	⇒ A ⇐ V	-	130	
			FN030-4E_WC_7	⇒ A ⇐ V	-	132	
310 mm	1~ 230 V	4	FN031-4E_WD_7	⇒ A ⇐ V	-	134	
			FN031-4E_0F_V7P2	⇐ V	-	136	
	3~ 400 V	4	FN031-4D_0F_V7P2	⇐ V	-	138	
350 mm	1~ 230 V	4	FN035-4E_WD_7	⇒ A ⇐ V	-	140	
			FN035-4E_WD_7	⇒ A ⇐ V	2013	142	
	3~ 400 V	4-4	FN035-4E_0F_7P2	⇒ A ⇐ V	2013 *	144	
			FN035-6E_0C_7P2	⇒ A ⇐ V	-	146	
			FN035-VD_0F_7P2	⇒ A ⇐ V	2015	148	
400 mm	1~ 230 V	4	FN040-4E_0F_7P1	⇒ A ⇐ V	2015	150	
			FN040-4E_0F_7P2	⇒ A ⇐ V	2015	152	
			FN040-4E_2F_7P1	⇒ A ⇐ V	2013	154	
	3~ 400 V	4-4	FN040-6E_0F_7P1	⇒ A ⇐ V	-	156	
			FN040-VD_0F_7P1	⇒ A ⇐ V	2015	158	
			FN040-VD_0F_7P2	⇒ A ⇐ V	2015	160	
420 mm	1~ 230 V	4	FN042-4E_2F_7P1	⇒ A ⇐ V	2013	162	
		6	FN042-6E_0F_7P1	⇒ A ⇐ V	-	164	
	3~ 400 V	4-4	FN042-VD_2F_7P1	⇒ A ⇐ V	2015	166	
		6-6	FN042-SD_2C_7P1	⇒ A ⇐ V	-	168	
450 mm	1~ 230 V	4	FN045-4E_4I_7P1	⇒ A ⇐ V	2013	170	
			6	FN045-4E_2F_7P2	⇒ A ⇐ V	2013	172
			6	FN045-6E_2F_7P3	⇒ A ⇐ V	-	174
	3~ 400 V	4-4	6	FN045-6E_4F_7P1	⇒ A ⇐ V	2015 *	176
			4-4	FN045-VD_2F_7P2	⇒ A ⇐ V	2015 *	178
			6-6	FN045-VD_4F_7P1	⇒ A ⇐ V	2015	180
			6-6	FN045-SD_2C_7P3	⇒ A ⇐ V	2013	182
500 mm	1~ 230 V	4	FN050-4E_4I_7P1	⇒ A ⇐ V	2013	186	
			6	FN050-6E_4F_7P1	⇒ A ⇐ V	2013	188
			8	FN050-8E_4C_7P1	⇒ A ⇐ V	-	190
	3~ 400 V	4-4	6-6	FN050-VD_4I_7P1	⇒ A ⇐ V	2015	192
			6-6	FN050-SD_4F_7P1	⇒ A ⇐ V	2015	194
			8-8	FN050-AD_4C_7P1	⇒ A ⇐ V	-	196
560 mm	1~ 230 V	4	FN056-6E_4I_7P2	⇒ A ⇐ V	2013	198	
		4-4	FN056-VD_4M_7P2	⇒ A ⇐ V	2015	200	
	3~ 400 V	6-6	FN056-SD_4F_7P2	⇒ A ⇐ V	2015	202	
		8-8	FN056-AD_4F_7P2	⇒ A ⇐ V	2013	204	

* with ZIEHL-ABEGG frequency inverter

Air flow q_v in m³/h

Type



Air flow q_v in m³/h

Information

FE2owlet
ECblue

FE2owlet

FB

FC

System
components

Control
technology

Appendix

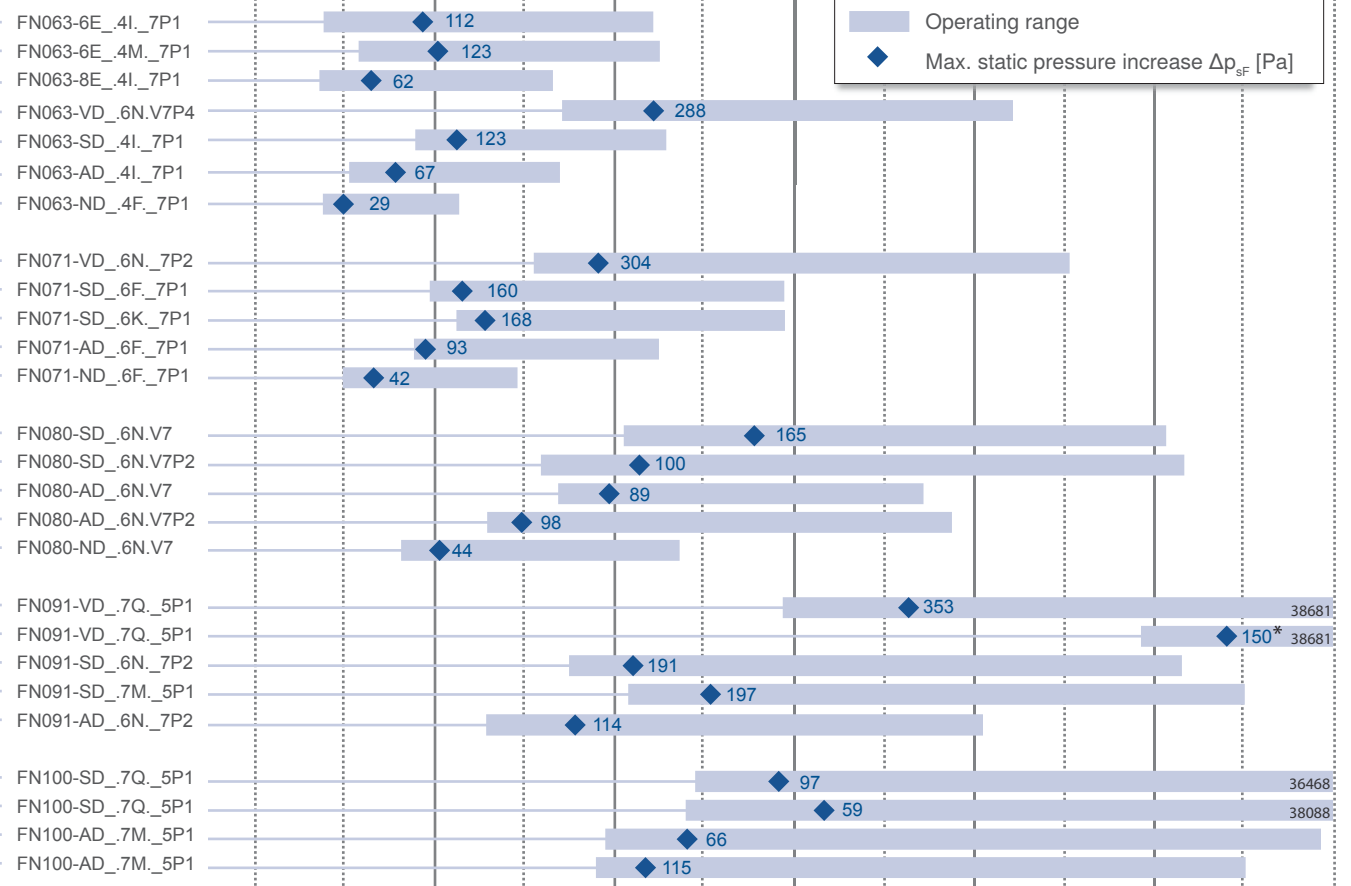
Size	Voltage	Number of poles	Type	Airflow direction	ErP	Page		
630 mm	1~ 230 V	6	FN063-6E_4I_7P1	⇒ - A - ⇐ - V	2013	206		
			FN063-6E_4M_7P1	⇒ - A - ⇐ - V	2013	208		
		8	FN063-8E_4I_7P1	⇒ - A - ⇐ - V	-	210		
	3~ 400 V	4-4	FN063-VD_6N.V7P4	⇐ - V	2013	212		
			6-6	FN063-SD_4I_7P1	⇒ - A - ⇐ - V	2015	214	
				8-8	FN063-AD_4I_7P1	⇒ - A - ⇐ - V	2013	216
				12-12	FN063-ND_4F_7P1	⇒ - A - ⇐ - V	-	218
710 mm	3~ 400 V	4-4	FN071-VD_6N_7P2	⇒ - A - ⇐ - V	2015	220		
			6-6	FN071-SD_6F_7P1	⇒ - A - ⇐ - V	2015	222	
		8-8	FN071-SD_6K_7P1	⇒ - A - ⇐ - V	2015	224		
			FN071-AD_6F_7P1	⇒ - A - ⇐ - V	2015	226		
			12-12	FN071-ND_6F_7P1	⇒ - A - ⇐ - V	2015*	228	
800 mm	3~ 400 V	6-6	FN080-SD_6N.V7	⇐ - V	2015	230		
			FN080-SD_6N.V7P2	⇐ - V	2013	232		
		8-8	FN080-AD_6N.V7	⇐ - V	2015	234		
			FN080-AD_6N.V7P2	⇐ - V	2013	236		
			FN080-ND_6N.V7	⇐ - V	2013	238		
910 mm	3~ 400 V	4-4	FN091-VD_7Q_5P1	⇒ - A - ⇐ - V	2015	240		
			FN091-VD_7Q_5P1	⇒ - A - ⇐ - V	-	242		
		6-6	FN091-SD_6N_7P2	⇒ - A - ⇐ - V	2015	244		
			FN091-SD_7M_5P1	⇒ - A - ⇐ - V	2015	246		
			8-8	FN091-AD_6N_7P2	⇒ - A - ⇐ - V	2015	248	
1000 mm	3~ 400 V	6-6	FN100-SD_7Q_5P1	⇒ - A - ⇐ - V	2015	250		
			FN100-SD_7Q_5P1	⇒ - A - ⇐ - V	2015	252		
		8-8	FN100-AD_7M_5P1	⇒ - A - ⇐ - V	2015	254		
			FN100-AD_7M_5P1	⇒ - A - ⇐ - V	2015	256		

* with ZIEHL-ABEGG frequency inverter

Air flow q_v in m^3/h

Type

0 5.000 10.000 15.000 20.000 25.000 30.000



* max. q_v = 31313
max. psF = 150

0 5.000 10.000 15.000 20.000 25.000 30.000

Air flow q_v in m^3/h

Information

FE2owlet
ECblue

FE2owlet

FB

FC

System
components

Control
technology

Appendix

FE2owlet

for single phase alternating current, 2 pole

FNO25-2E



Description

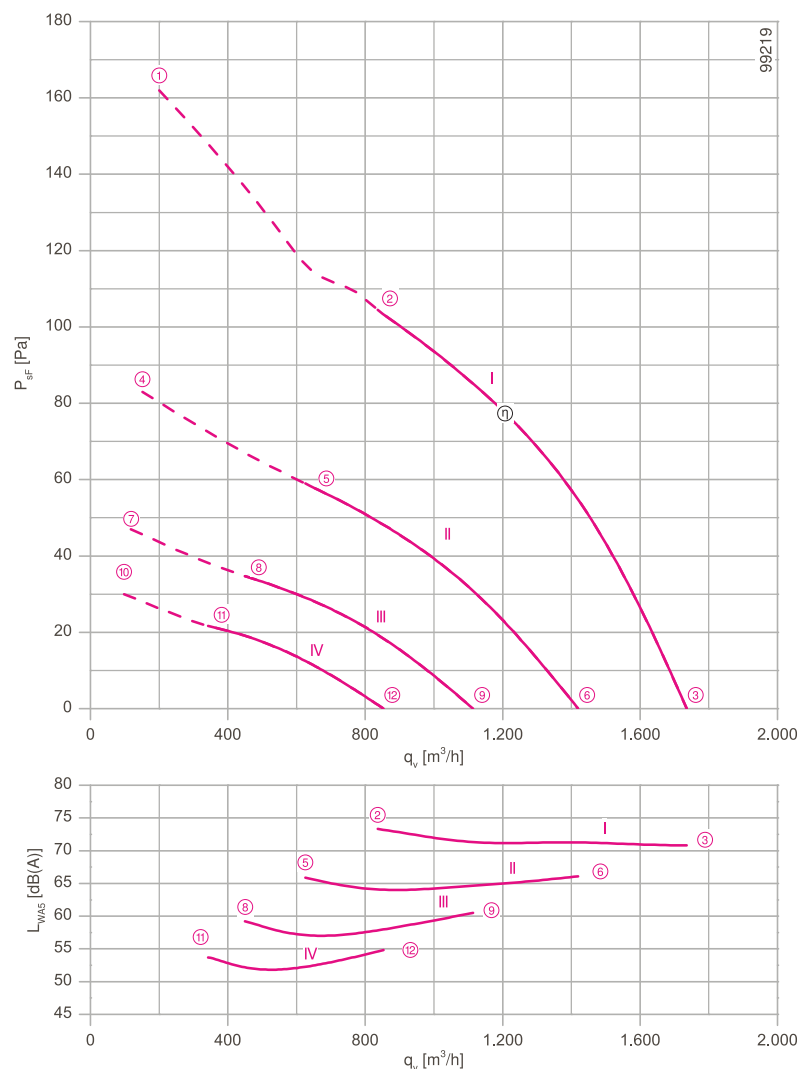
Motor technology: AC
 Rated voltage U_N : 1~ 230 V*
 Rated frequency f_N : 50 Hz* (60Hz data available)
 Motor input power P_1 : 0.12 kW*
 Rated current I_N : 0.54 A*
 Rated speed n_N : 2160 min⁻¹*
 Starting current I_s : 0.75 A
 Current increase ΔI : 0 %
 Service capacitor C_{400V} : 3.5 μ F
 Thermal class: **THCL155***
 Min. permitted conveyor temperature $t_{R(min)}$: -40 °C
 Max. permitted conveyor temperature $t_{R(max)}$: 65 °C
 Electrical connection: Supply cable variable 45 cm
 Number of blades: 7

Motor protection: Thermal contact
 Blades: High Performance Composite Material, uncoated, black
 Rotor: Aluminium, 1 coat paint, Ultramarine blue
 Conformity: CE

ErP Data

Is not subject to the ErP Guidelines ($P_1 < 125$ W)
 * Rated data

Characteristic curve



Measured in full bell mouth without guard grille in installation type A according to ISO 5801.

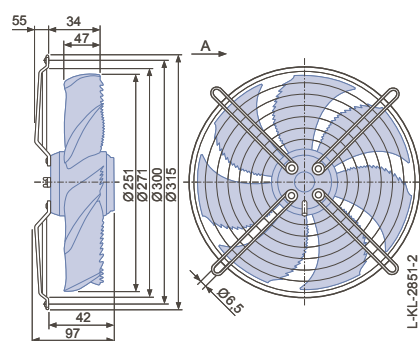
➤ Connection diagram 1360-177X Page 609

➤ System components Page 524

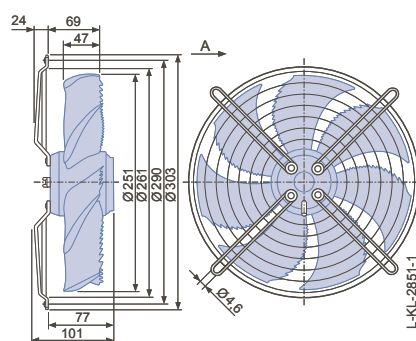
Dimensions [mm]

Airflow direction A

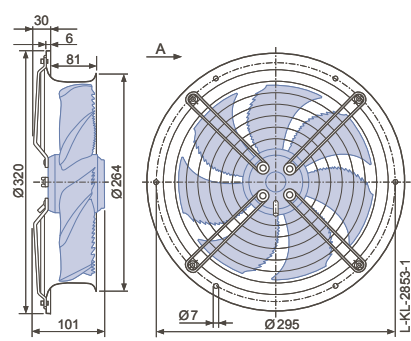
Design W - axial bolted, mounting for short bell mouth E



Design D - axial bolted, suspension for full bell mouth Q and L



Design L - round, full bell mouth





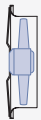



Performance data

Type	Characteristic curve	Voltage	Operating point	Current	Motor input power	Speed	Suction side sound power level
		U [V]		I [A]	P ₁ [W]	n [min ⁻¹]	
FN025-2E_WA_7	I	230	①	0.58	140	1900	
		230*	②	0.54*	120*	2160*	73
		230	③	0.48	110	2410	71
	II	170	④	0.48	85	1370	
		170	⑤	0.46	80	1630	66
		170	⑥	0.44	75	1970	66
	III	135	⑦	0.40	55	1040	
		135	⑧	0.39	55	1240	59
		135	⑨	0.38	50	1550	61
	IV	110	⑩	0.33	36	830	
		110	⑪	0.33	36	980	53
		110	⑫	0.32	36	1200	55

*rated data

Fan ordering information

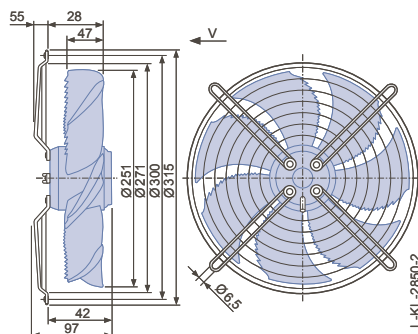
Airflow direction A		Airflow direction V				
Design	W	D	L	K	H	I
						
Type	FN025-2EW.WA.A7	FN025-2ED.WA.A7	FN025-2EL.WA.A7	FN025-2EK.WA.V7	FN025-2EH.WA.V7	FN025-2EI.WA.V7
Article no.	162556	161633	161634	161631	161630	162557
Weight [kg]	2.50	3.50	2.70	3.40	2.70	2.50

Control technology

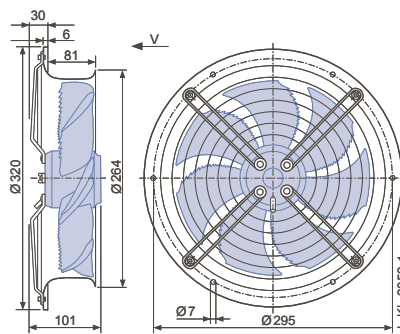
<p>Frequency inverter Fcontrol 1~</p>  <p>➤ Page 552</p>	<p>Motor protection units 1~</p>  <p>➤ Page 596</p>	<p>Transformer-based controllers 1~</p>  <p>➤ Page 587</p>	<p>Electronic voltage controllers 1~</p>  <p>➤ Page 562</p>
---	--	---	---

Airflow direction V

Design K - axial bolted, mounted for short bell mouth E



Design H - pipe sockets with a flange



Design I - axial bolted, mounting for bell mouth flange for pipe socket H or full bell mouth Q or L



Information
FE2owlet ECblue
FE2owlet
FB
FC
System components
Control technology
Appendix

FE2owlet

for single phase alternating current, 4 pole

FN025-4E



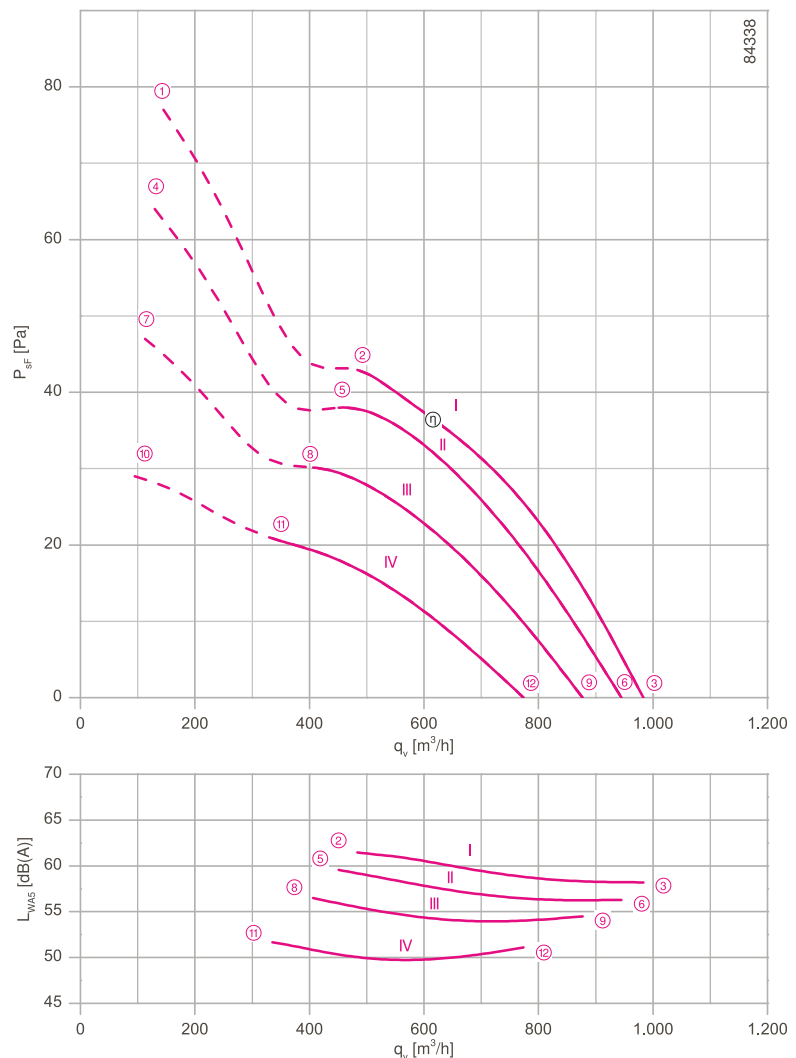
Description

Motor technology: AC
 Rated voltage U_N : 1~ 230 V*
 Rated frequency f_N : 50 Hz* (60Hz data available)
 Motor input power P_1 : 0.05 kW*
 Rated current I_N : 0.24 A*
 Rated speed n_N : 1370 min⁻¹*
 Starting current I_s : 0.40 A
 Current increase ΔI : 0 %
 Service capacitor C_{400V} : 1.5 μ F
 Thermal class: **THCL155***
 Min. permitted conveyor temperature $t_{R(min)}$: -40 °C
 Max. permitted conveyor temperature $t_{R(max)}$: 55 °C
 Electrical connection: Supply cable variable 45 cm
 Number of blades: 7
 Motor protection: Thermal contact
 Blades: High Performance Composite Material, uncoated, black
 Rotor: Aluminium, 1 coat paint, Ultramarine blue
 Conformity: CE

ErP Data

Is not subject to the ErP Guidelines ($P_1 < 125$ W)
 * Rated data

Characteristic curve



Measured in full bell mouth without guard grille in installation type A according to ISO 5801.

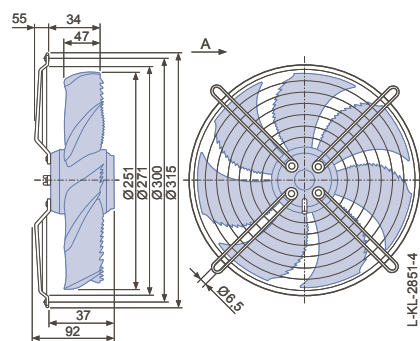
➤ Connection diagram 1360-177X Page 609

➤ System components Page 524

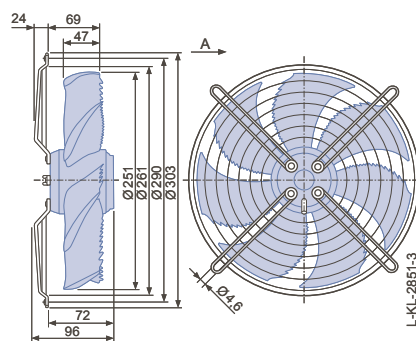
Dimensions [mm]

Airflow direction A

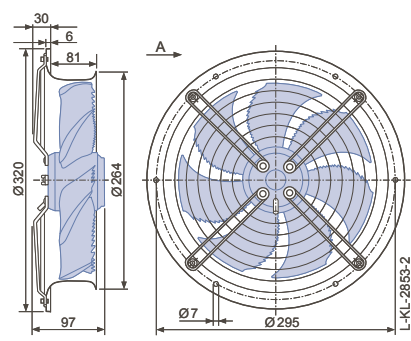
Design W - axial bolted, mounting for short bell mouth E



Design D - axial bolted, suspension for full bell mouth Q and L



Design L - round, full bell mouth





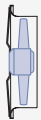



Performance data

Type	Characteristic curve	Voltage	Operating point	Current	Motor input power	Speed	Suction side sound power level
		U [V]		I [A]	P ₁ [W]	n [min ⁻¹]	
FN025-4E_W8_7	I	230	①	0.24	50	1330	
		230*	②	0.24*	48*	1370*	62
		230	③	0.23	46	1400	58
	II	170	④	0.19	32	1210	
		170	⑤	0.17	28	1280	60
		170	⑥	0.16	26	1340	56
	III	135	⑦	0.18	24	1030	
		135	⑧	0.16	22	1150	57
		135	⑨	0.14	19	1250	55
	IV	110	⑩	0.17	18	820	
		110	⑪	0.16	17	960	52
		110	⑫	0.14	15	1110	51

*rated data

Fan ordering information

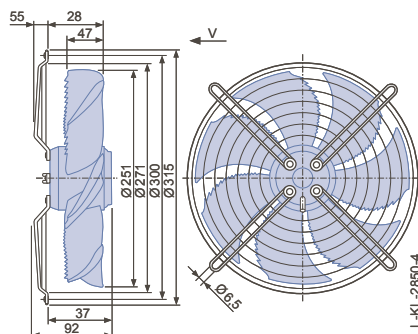
Airflow direction A		Airflow direction V				
Design	W	D	L	K	H	I
						
Type	FN025-4EW.W8.A7	FN025-4ED.W8.A7	FN025-4EL.W8.A7	FN025-4EK.W8.V7	FN025-4EH.W8.V7	FN025-4EI.W8.V7
Article no.	139726	139712	139719	139754	139747	139740
Weight [kg]	2.50	2.30	3.30	2.50	3.30	2.30

Control technology

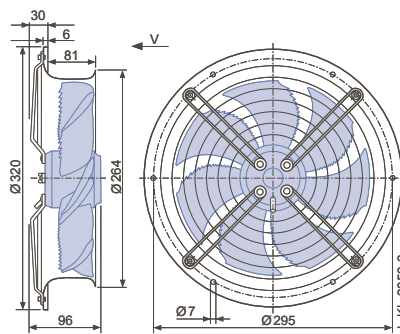
<p>Frequency inverter Fcontrol 1~</p>  <p>➤ Page 552</p>	<p>Motor protection units 1~</p>  <p>➤ Page 596</p>	<p>Transformer-based controllers 1~</p>  <p>➤ Page 587</p>	<p>Electronic voltage controllers 1~</p>  <p>➤ Page 562</p>
---	--	---	---

Airflow direction V

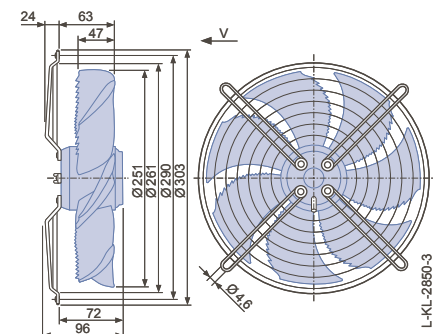
Design K - axial bolted, mounted for short bell mouth E



Design H - pipe sockets with a flange



Design I - axial bolted, mounting for bell mouth flange for pipe socket H or full bell mouth Q or L



Information
FE2owlet ECblue
FE2owlet
FB
FC
System components
Control technology
Appendix