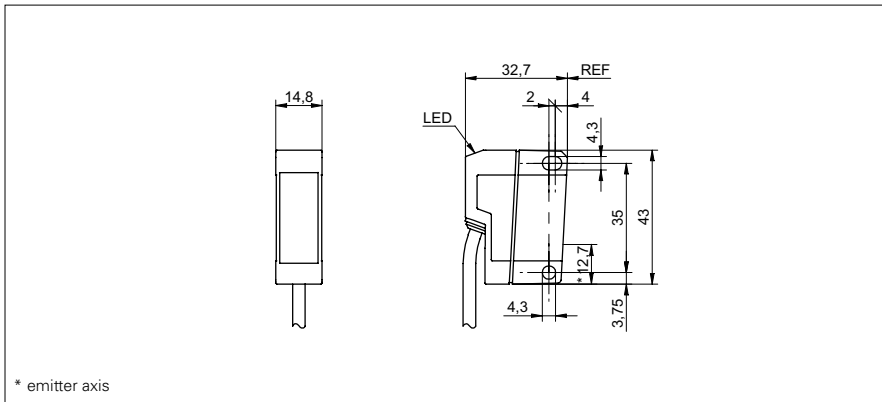


SmartReflect Light barriers

FNDK 14G6902/IO

dimension drawing



* emitter axis

general data

| | |
|-----------------------------------|---------------------------|
| type | light barrier |
| version | Tray and bottle detection |
| light source | pulsed red LED |
| background position Sde | 200 ... 800 mm on V4A |
| minimal signal attenuation | 30 % |
| alignment / soiled lens indicator | flashing light indicator |
| power on indication | LED green |
| output indicator | LED red |
| sensing distance adjustment | Teach-in and IO-Link |
| wave length | 660 nm |

electrical data

| | |
|------------------------------------|----------------------|
| response time / release time | < 1,8 ms |
| voltage supply range +Vs | 10 ... 30 VDC |
| current consumption max. (no load) | 35 mA |
| current consumption typ. | 30 mA |
| voltage drop Vd | < 2 VDC |
| output function | light / dark operate |
| output circuit | push-pull |
| output current | < 100 mA |
| short circuit protection | yes |
| reverse polarity protection | yes, Vs to GND |

mechanical data

| | |
|------------------|---------------------|
| width / diameter | 14,8 mm |
| height / length | 43 mm |
| depth | 31 mm |
| type | rectangular |
| housing material | plastic (ASA, MABS) |
| front (optics) | PMMA |
| connection types | cable 4 pin, 2 m |

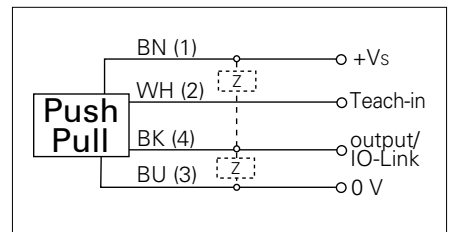
ambient conditions

| | |
|-----------------------|----------------|
| operating temperature | -30 ... +60 °C |
| protection class | IP 67 |

photo



connection diagram



IO-Link



- IO-Link: output signal, service status, object presence
- sensitivity adjustable: via Teach-in wire input