

Product Information

Flowrate Sensor FS222



- High chemical resistance
- Transparent medium necessary, max. viscosity 15 cSt
- 6 measuring ranges 0.1..120 L/min
- Transistor output push-pull
- Process pressure max. 10 bar

Characteristics

The FS222 is a volumetric turbine flow sensor manufactured in PVDF for high precision flow measurement in 6 different ranges from 0.1 up to 120 L/min. The repeatability is 0.1 % of the measured value. The sensor is chemical resistant and optional provided with a replaceable Cartridge (MR1-3) that minimizes system downtime. The maintenance is efficiently handled by simply removing the inner cartridge assembly. Within a minute the flow meter is completely renewed without technical assistance.

The sensor is not suitable for measurements of liquids with solid parts.

Technical data

Power supply

Supply voltage : 8..24 V DC
 Electrical connection : signal cable 1 m
 CE-conformity : N 55022 Class A & B, EN61000-6

Output

Measurement ranges : 0.1..120 l/min (see ordering code)
 measuring ranges 2-6 with built-in filter
 Impulse : transistor push/pull
 Load : max. 2.2 kΩ
 Frequency : 15..1200 Hz depends to the measuring range
 Accuracy : 1.5 %

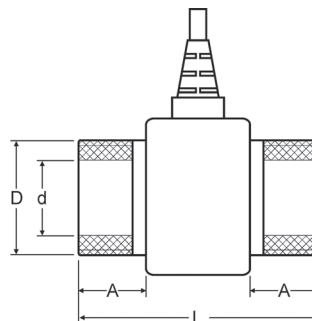
Process data

Repeatability : 0.1 %
 Medium : transparent (IR-operating mode)
 Medium temperature : -40..+85 °C
 Process pressure : max. 10 bar
 Viscosity : max. 15 cSt (depending on the MR)
 Pressure loss : 0.5 bar at 50 %, 2 bar at 100 %

Material

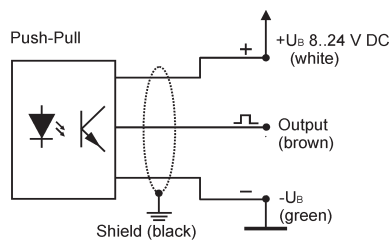
Process : PVDF
 Case : PVDF

Dimensions



MR	A	D	d	L
1	9.5	1/4"	6,5	39
2	12.7	1/2"	13	47
3	12.7	1/2"	13	47
4	18.5	3/4"	17	63
5	24.5	1 1/4"	29	80
6	24.5	1 1/4"	29	80

Connection diagram



Ordering code

FS222 - 1. - 2. - 3. - 4.

1. Measuring range MR			
	Range l/min	K-factor pulses/L	Process connection
1	0.1..2	36000	G 1/4"
2	0.3..9	8000	G 1/2"
3	0.5..15	3200	G 1/2"
4	1..30	1200	G 3/4"
5	2.5..75	450	G 1 1/4"
6	4..120	225	G 1 1/4"
2. Material			
4	Case and turbine PVDF, other material on request		
3. Electrical connection			
1	connection cable 1 m		
2	connection cable 2 m		
4. Options			
00	without option		