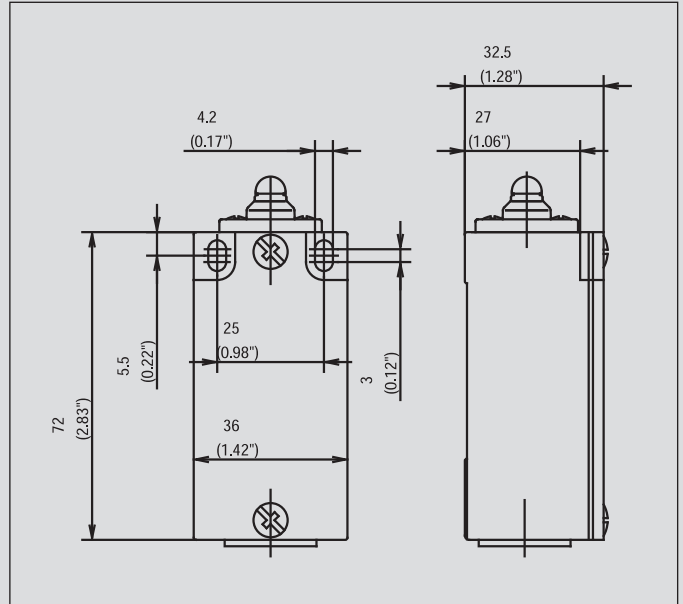


Metal-Enclosed Limit Switches

GC



Recommended use

Thanks to its compact design, this metal-enclosed switch is ideally suited for virtually all safety and position monitoring applications.

Product advantages

- Protection class IP 65 to VDE 0470 T1
- Enclosure: Aluminium pressure die-casting
- Cover: Sheet aluminium
- Actuator can be repositioned by 4 x 90°
- Cable entry M20 x 1.5
- Connection designation conforming to DIN EN 50013
- Metal actuators for high loads
- Graduated adjustment of AH lever
- Selectable direction-dependent contact-making of AH actuator (basic setting: contact-making both sides)

Options

- AS interface versions on request
- Preassembled with customer-specific cables and connectors on request

Design layout

- Slow-action and snap-action contacts
- Versions: 1 NC / 1NO, 2 NC / 2 NO, 2 NC, overlapping contacts
- All NC contacts with ⊖ in the circuit diagram are positively opening contacts
- Type: Zb (galvanically isolated changeover contact)
- Latching function on request

Mounting

- 2 adjustment slots for M4 screws (for safety applications with blind hole for \varnothing 4.0 mm fitted pin in enclosure base or enclosure with holes for M5)

Installation advantages

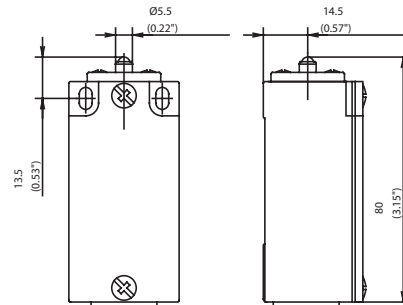
- Screw connections with self-lifting clamping plates
- Captive cover screws
- Easy-to-change switching system thanks to snap-in retainer
- Finely adjustable switching point with adjusting screw

Technical data

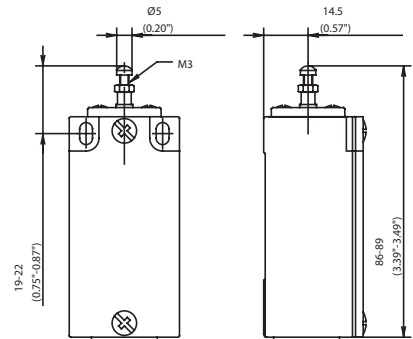
Electrical data	
Rated insulation voltage (up to) ^①	U _i max. 400 V AC
Conventional thermal current (up to) ^①	I _{the} 10 A
Rated operating voltage	U _e max. 240 V
Utilization category (up to) ^①	AC-15, U _e /I _e 240 V/3 A
Short-circuit protection (up to) ^①	Fuse 10 A gL/gG
Protection class	I
Mechanical data	
Enclosure material	Aluminium pressure die-casting
Ambient temperature	-30 °C to + 80 °C
Mechanical service life (up to) ^①	10 x 10 ⁶ switching cycles
B10d (up to) ^①	20 Mill.
Switching frequency	≤ 100/min.
Type of connection	Screw connections
Conductor cross sections	Single-wire 0.5 – 1.5 mm ² or Stranded wire with ferrule 0.5 – 1.5 mm ²
Cable entry	1 x M20 x 1.5
Protection class	IP 65 conforming to IEC/EN 60529
Standards	
VDE 0660 T100, DIN EN 60947-1, IEC 60947-1 VDE 0660 T200, DIN EN 60947-5-1, IEC 60947-5-1	

^① Depending on switching system. See Table on Pages 70 – 73.

IW



STIW



Switching operation

Slow-action

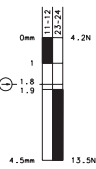
Snap-action

Slow-action

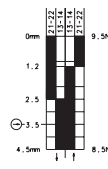
Snap-action

1 NC / 1 NO contact

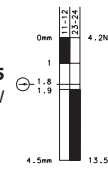
6021102001
GC-U1Z IW



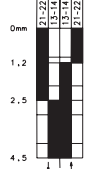
6021352620
GC-SU1Z IW



6021105015
GC-U1Z STIW



6021155017
GC-SU1Z STIW



2 NC contacts

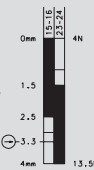
6021802189
GC-A2Z IW



2 NO contacts

1 NC / 1 NO contact Overlapping

6021305016
GC-UV1Z STIW



Approvals



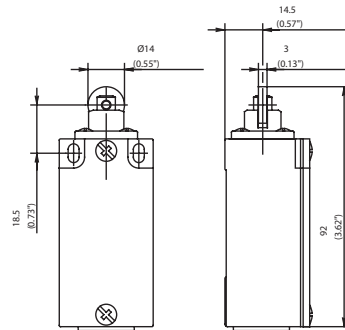
Replacement actuator: 3912030546

Replacement actuator: 3912050523

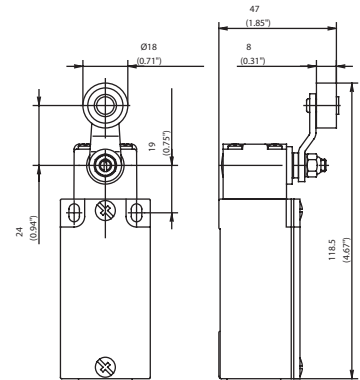
Special features / variants
(on request)

- Special features / variants**
- Actuator length adjustable with adjusting screw

RIW



AH



Switching operation

Slow-action

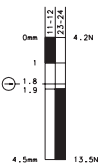
Snap-action

Slow-action

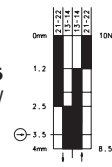
Snap-action

1 NC / 1 NO contact

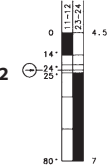
6021117029
GC-U1Z RIW



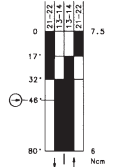
6021367626
GC-SU1Z RIW



6021135102
GC-U1Z AH

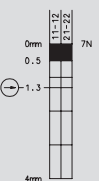


6021385634
GC-SU1Z AH



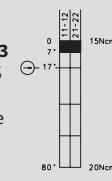
2 NC contacts

6021817172
GC-A2Z RIW



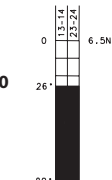
6121835833
GC-A2Z AH

See separate datasheet



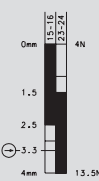
2 NO contacts

6021835160
GC-E2 AH



**1 NC / 1 NO contact
Overlapping**

6021317030
GC-UV1Z RIW



6021335133
GC-UV1Z AH



Approvals



Replacement actuator: 3912170518

Replacement actuator: 3912350722

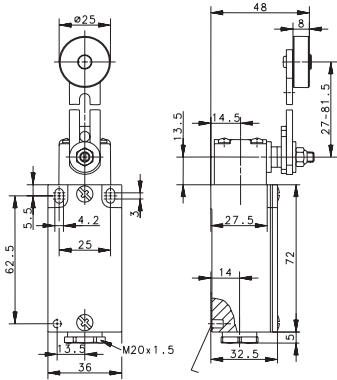
Special features / variants
(on request)

- Available for high temperature range and following contacts:
2 NC / 1 NO contact
2 NC / 2 NO contact
(larger enclosure)

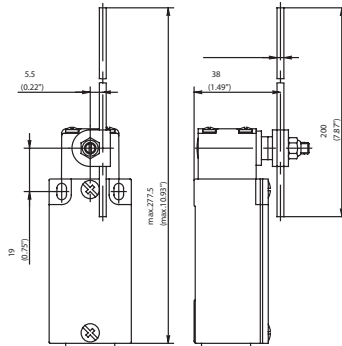
Special features / variants
(on request)

- Available with various roller diameters, cranked or straight lever and with various lever lengths
- With roller over switch and with following contacts:
2 NC / 2 NO contact
(larger enclosure)

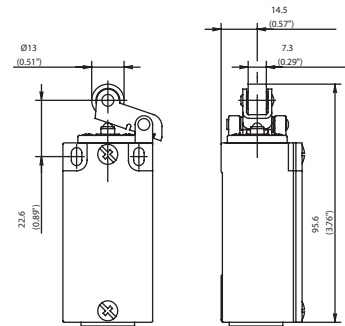
AV



AD



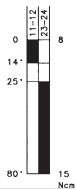
HIW



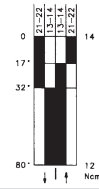
Slow-action

Snap-action

6021136104
GC-U1 AV



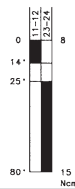
6021186118
GC-SU1 AV



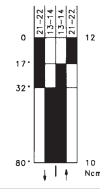
Slow-action

Snap-action

6021137103
GC-U1 AD



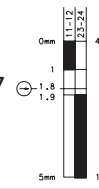
6021187125
GC-SU1 AD



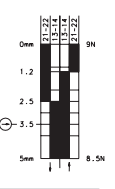
Slow-action

Snap-action

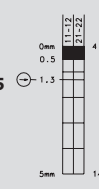
6021120057
GC-U1Z HIW



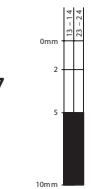
6021370629
GC-SU1Z HIW



6021820175
GC-A2Z HIW



6021820157
GC-E2 HIW



6021320058
GC-UV1Z HIW



Replacement actuator: 3912360723

Replacement actuator: 3912370724

Replacement actuator: 3912200552

Special features / variants (on request)

- Various roller diameters
- Different lever lengths
- With roller over switch and with following contacts:
2 NC / 2 NO contact

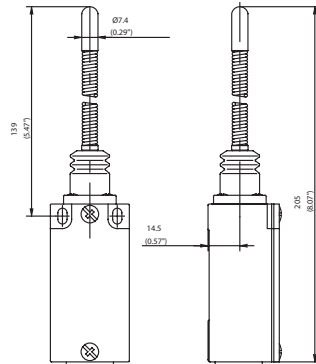
Special features / variants (on request)

- Available with various actuator lengths and actuator directions
- With following contacts:
2 NC / 1 NO with overlap (larger enclosure)

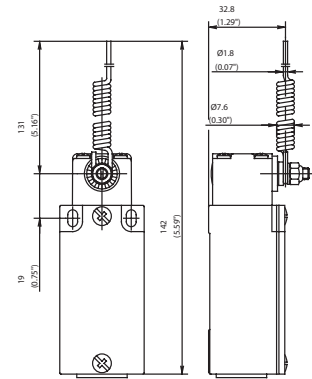
Special features / variants (on request)

- Available with different actuating directions
- Available with steel roller
- With following contacts:
2 NC / 2 NO contact
1 NC / 2 NO with overlap (larger enclosure)

FF



AF



Switching operation

Slow-action

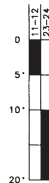
Snap-action

Slow-action

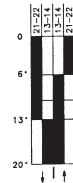
Snap-action

1 NC / 1 NO contact

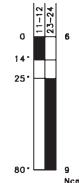
6021140476
GC-U1 FF



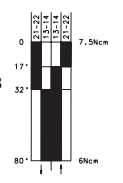
6021190100
GC-SU1 FF



6021139106
GC-U1 AF



6021189128
GC-SU1 AF



2 NC contacts

2 NO contacts

1 NC / 1 NO contact
Overlapping

Approvals



Replacement actuator: 3912400510

Replacement actuator: 3912390725

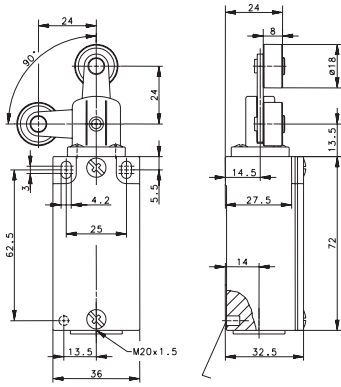
Special features / variants
(on request)

- Different spring lengths
- Different spring versions or spring rod

Special features / variants
(on request)

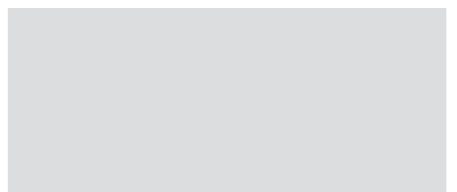
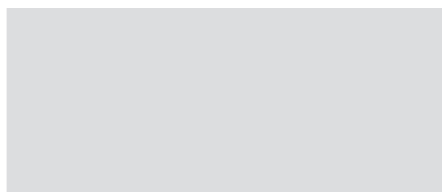
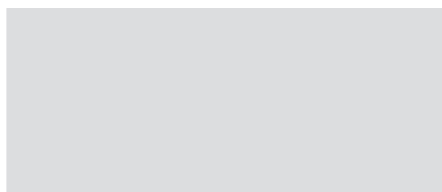
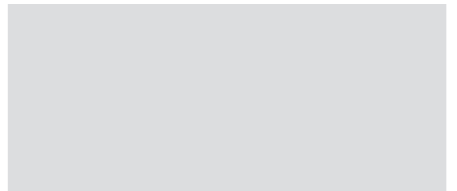
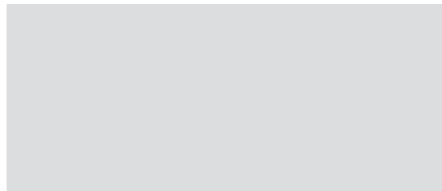
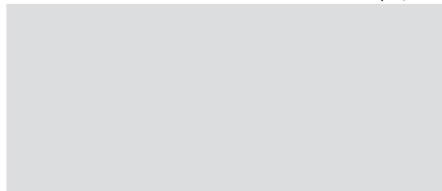
- Available with various actuator lengths and actuator directions

DR



Slow-action

Snap-action



Replacement actuator: 3912410593

Special features / variants
(on request)