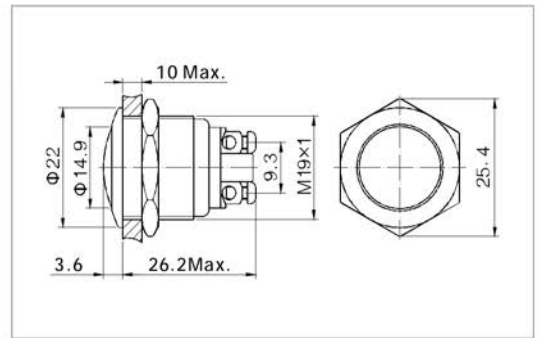


Anti-vandal push button



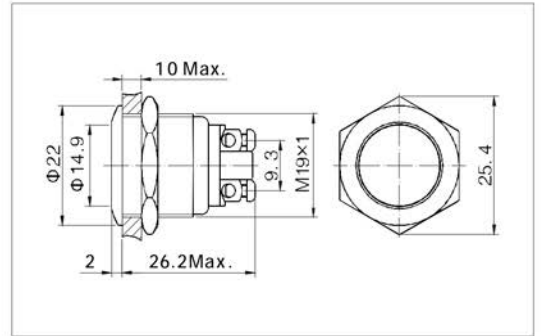
- ⊙ Φ 19mm diameter
- ⊙ Switch Rating: 2A/36VDC
- ⊙ Contact Configuration: 1NO (1NC Made to or order)
- ⊙ Operation Type: Momentary
- ⊙ The Front Shape: Domed
- ⊙ The crust material: Stainless Steel/ Brass(Nickel plated, Gold plated)
- ⊙ IP Degree: Ip65



Anti-vandal push button



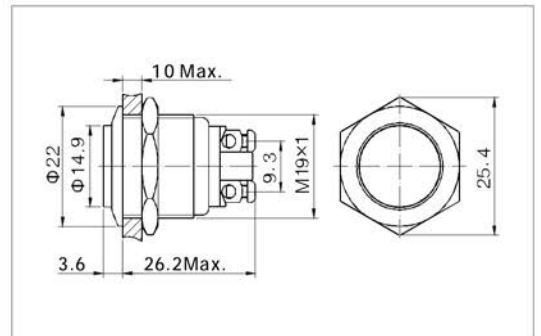
- ⊙ Φ 19mm diameter
- ⊙ Switch Rating: 2A/36VDC
- ⊙ Contact Configuration: 1NO (1NC Made to or order)
- ⊙ Operation Type: Momentary
- ⊙ The Front Shape: Flat Round
- ⊙ The crust material: Stainless Steel/ Brass(Nickel plated, Gold plated)
- ⊙ IP Degree: Ip65



Anti-vandal push button



- ⊙ Φ 19mm diameter
- ⊙ Switch Rating: 2A/36VDC
- ⊙ Contact Configuration: 1NO (1NC Made to or order)
- ⊙ Operation Type: Momentary
- ⊙ The Front Shape: High Round
- ⊙ The crust material: Stainless Steel/ Brass(Nickel plated, Gold plated)
- ⊙ IP Degree: Ip65



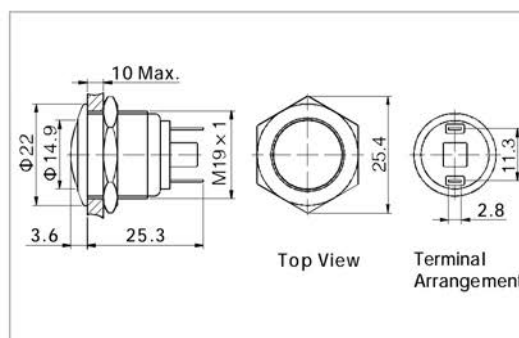
Specification	GQ19B-10/0	GQ19F-10/0	GQ19H-10/0
The Front Shape	Domed	Flat Round	High Round
Terminal Type	Screw Terminals	Screw Terminals	Screw Terminals
Switching	No.1	No.1	No.1
Max.Switch Rating	2A/36VDC	2A/36VDC	2A/36VDC
Contact Resistance	≤50mΩ	≤50mΩ	≤50mΩ
Insulation Resistance	≥1000MΩ	≥1000MΩ	≥1000MΩ
Dielectric Intensity	2000VAC	2000VAC	2000VAC
Operating Temp	-20℃ ~ +55℃	-20℃ ~ +55℃	-20℃ ~ +55℃
Mechanical life	1,000,000cycles	1,000,000cycles	1,000,000cycles
Electrical life	200,000cycles	200,000cycles	200,000cycles
Panel Thickness	1 ~ 10mm	1 ~ 10mm	1 ~ 10mm
Torque	5 ~ 14Nm	5 ~ 14Nm	5 ~ 14Nm
Operation Pressure	About 4N	About 4N	About 4N
Operation Distance	About 1.8mm	About 1.8mm	About 1.8mm
IP Degree	IP65	IP65	IP65
Material	Contact	Silver Alloy	Silver Alloy
	Button	Stainless Steel/Brass(Nickel plated, Gold plated)	Stainless Steel/Brass(Nickel plated, Gold plated)
	Body	Stainless Steel/Brass(Nickel plated, Gold plated)	Stainless Steel/Brass(Nickel plated, Gold plated)
	Base	PBT	PBT
	RoHS	Made to order	Made to order

Anti-vandal push button



GQ19B-10/J/0

- ⊙ Φ 19mm diameter
- ⊙ Switch Rating: 2A/36VDC
- ⊙ Contact Configuration: 1NO
- ⊙ Operation Type: Momentary
- ⊙ The Front Shape: Domed
- ⊙ The crust material: Stainless Steel/ Brass(Nickel plated, Gold plated)
- ⊙ IP Degree: Ip65

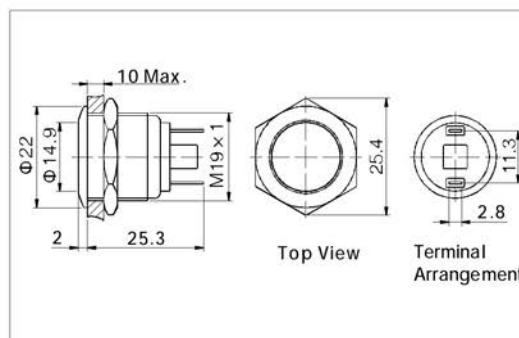


Anti-vandal push button



GQ19F-10/J/0

- ⊙ Φ 19mm diameter
- ⊙ Switch Rating: 2A/36VDC
- ⊙ Contact Configuration: 1NO
- ⊙ Operation Type: Momentary
- ⊙ The Front Shape: Flat Round
- ⊙ The crust material: Stainless Steel/ Brass(Nickel plated, Gold plated)
- ⊙ IP Degree: IP65

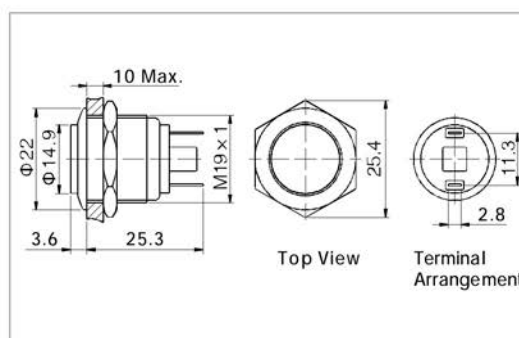


Anti-vandal push button



GQ19H-10/J/0

- ⊙ Φ 19mm diameter
- ⊙ Switch Rating: 2A/36VDC
- ⊙ Contact Configuration: 1NO
- ⊙ Operation Type: Momentary
- ⊙ The Front Shape: High Round
- ⊙ The crust material: Stainless Steel/ Brass(Nickel plated, Gold plated)
- ⊙ IP Degree: IP65



Specification	GQ19B-10/J/0	GQ19F-10/J/0	GQ19H-10/J/0
The Front Shape	Domed	Flat Round	High Round
Terminal Type	Pin Terminal(2×0.5mm)	Pin Terminal(2×0.5mm)	Pin Terminal(2×0.5mm)
Switching	No.1	No.1	No.1
Max.Switch Rating	2A/36VDC	2A/36VDC	2A/36VDC
Contact Resistance	≤50mΩ	≤50mΩ	≤50mΩ
Insulation Resistance	≥1000MΩ	≥1000MΩ	≥1000MΩ
Dielectric Intensity	2000VAC	2000VAC	2000VAC
Operating Temp	-20℃ ~ +55℃	-20℃ ~ +55℃	-20℃ ~ +55℃
Mechanical life	1,000,000cycles	1,000,000cycles	1,000,000cycles
Electrical life	200,000cycles	200,000cycles	200,000cycles
Panel Thickness	1 ~ 10mm	1 ~ 10mm	1 ~ 10mm
Torque	5 ~ 14Nm	5 ~ 14Nm	5 ~ 14Nm
Operation Pressure	About 4N	About 4N	About 4N
Operation Distance	About 1.8mm	About 1.8mm	About 1.8mm
IP Degree	IP65	IP65	IP65
Material	Contact	Silver Alloy	Silver Alloy
	Button	Stainless Steel/Brass(Nickel plated, Gold plated)	Stainless Steel/Brass(Nickel plated, Gold plated)
	Body	Stainless Steel/Brass(Nickel plated, Gold plated)	Stainless Steel/Brass(Nickel plated, Gold plated)
	Base	PBT	PBT
	RoHS	Made to order	Made to order