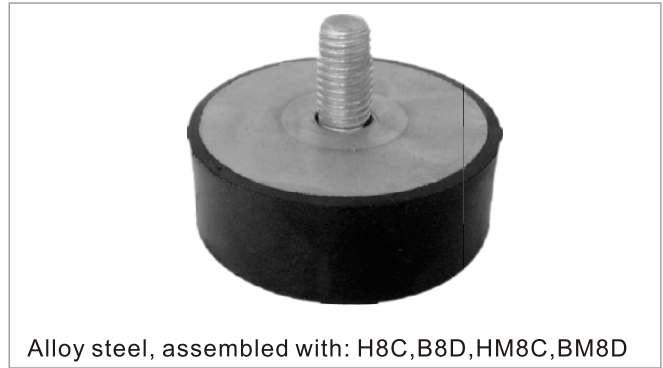


Accessory

HJ-8-203

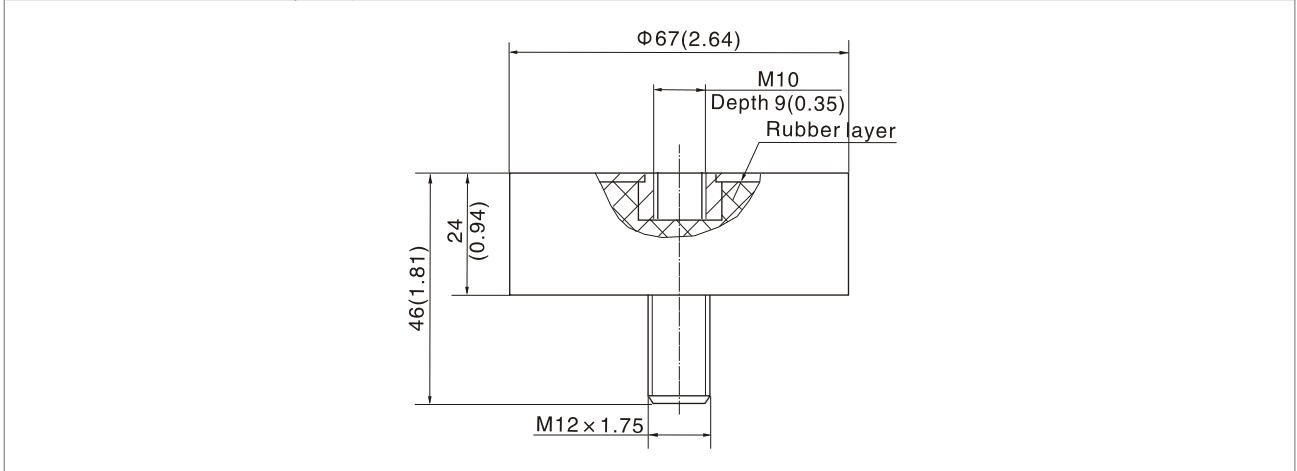
Capacity 0.5-2t
Part number HJ-8-203-0.5/2t

Features:
Alloy steel with rubber inside, slightly adjustable of the slant, easy installation.
Mainly used for platform scales, packaging scales, hybrid scales and other electronic weighing devices.



Alloy steel, assembled with: H8C,B8D,HM8C,BM8D

Outline Dimension mm(inch)



BJ-8-205

Capacity 0.5-2t
Part number BJ-8-205-0.5/2t
250lb-4KSE BJ-8-205-250lb/4KSE

Feature:
Easy installation, adjustable height, anti-corrosion, automatically centralized inside, good ability of anti-side loading.
Mainly used for platform scales, floor scales and other electronic weighing devices under hazardous environments.



Stainless steel, assembled with: B8D,H8C

Outline Dimension mm(inch)

