

## Accessory

# HJ-8-208

Capacity	Part number
0.5-2t	HJ-8-208-0.5/2t
2.5-5t	HJ-8-208-2.5/5t
1Klb-4KSE	HJ-8-208-1Klb/4KSE
5Klb-10Klb	HJ-8-208-5/10K

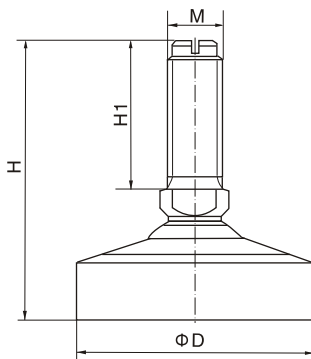
### Features:

Easy installation, adjustable height, automatically centralized inside, good ability of anti-side loading. Mainly used for platform scales, floor scales and other electronic weighing devices.



Alloy steel, assembled with: H8C,B8D,HM8C,BM8D

### Outline Dimension mm(inch)



Dimension Capacity	ΦD	H1	H	M
0.5t-2t	60 (2.36)	42 (1.65)	74 (2.91)	M12 × 1.75
2.5t-5t	80 (3.15)	50 (1.97)	95 (3.74)	M18 × 1.5(Only for H8C)
2.5t-5t	80 (3.15)	50 (1.97)	95 (3.74)	M20 × 2.5(Only for B8D)
1Klb-4KSE	60 (2.36)	42 (1.65)	74 (2.91)	1/2-20UNF
5K-10K	80 (3.15)	50 (1.97)	95 (3.74)	3/4-16UNF

# BJ-8-209

Capacity	Part number
0.5-2t	HJ-8-208-0.5/2t
2.5-5t	HJ-8-208-2.5/5t
1Klb-4KSE	HJ-8-208-1Klb/4KSE
5Klb-10Klb	HJ-8-208-5/10K

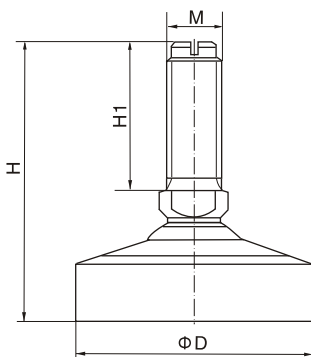
### Features:

Easy installation, adjustable height, automatically centralized inside, good ability of anti-side loading. Mainly used for platform scales, floor scales and other electronic weighing devices.



Stainless steel, assembled with: H8C,B8D,HM8C,BM8D

### Outline Dimension mm(inch)



Dimension Capacity	ΦD	H1	H	M
0.5t-2t	60 (2.36)	42 (1.65)	74 (2.91)	M12 × 1.75
2.5t-5t	80 (3.15)	50 (1.97)	95 (3.74)	M20 × 2.5(Only for B8D)
1Klb-4KSE	60 (2.36)	42 (1.65)	74 (2.91)	1/2-20UNF
5K-10K	80 (3.15)	50 (1.97)	95 (3.74)	3/4-16UNF