

## Accessory

# HM-14-401

**Capacity** 10t-50t  
**Part number** HM-14-401-10/50t

**Features:**

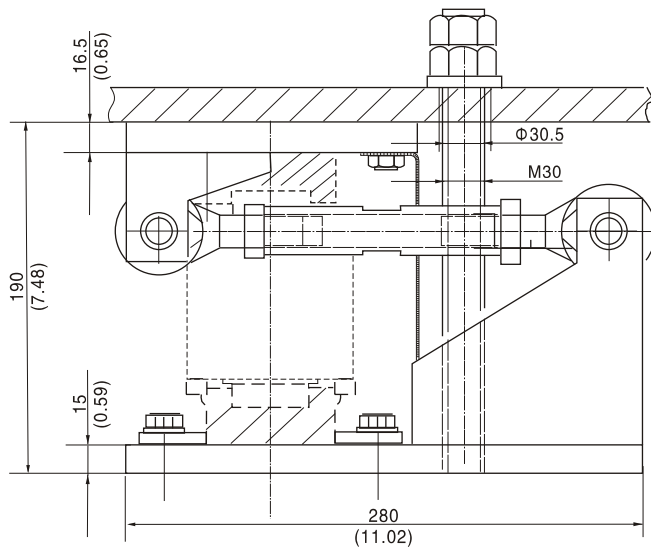
- Compact construction, easy installation
- With anti-reversal ability
- With horizontal locating ability
- With self-aligning ability

**Specifications**

Ultimate load	150%FS
Max. anti-rotation	50KN
Max. anti-side loading	50KN
Max. horizontal displacement	5.4mm



**Outline Dimension mm(inch)**



**Installation**

